

# **GALIT**

## **EXPERTS IN DENTISTRY**

**PRICE LISTS 2025**

**MEDICAL FURNITURE: «MERCURY» LINE**

**Language: English**

**CONTENTS:**

SECTION I MEDICAL FURNITURE «MERCURY»: MODULES ON BASE .....	3
SECTION II MEDICAL FURNITURE «MERCURY»: MODULES ON FEET.....	9
SECTION III MEDICAL FURNITURE «MERCURY»: WHEEL-BASED MOBILE MODULES.....	15
SECTION IV MEDICAL FURNITURE «MERCURY»: MODULES ON FRAME.....	19
SECTION V MEDICAL FURNITURE «MERCURY»: HANGING MODULES.....	25
SECTION VI MEDICAL FURNITURE «MERCURY»: MODULES ON BASE.....	28
SECTION VII MEDICAL FURNITURE «MERCURY»: WHEEL-BASED MOBILE MODULES.....	33
SECTION VIII MEDICAL FURNITURE «MERCURY»: MODULES ON FRAME.....	37
SECTION IX MEDICAL FURNITURE «MERCURY»: HANGING MODULES.....	43
SECTION X MEDICAL FURNITURE «MERCURY»: MODULES ON FEET.....	46
SECTION XI MEDICAL FURNITURE «MERCURY»: HANGING MODULES.....	51
SECTION XII MEDICAL FURNITURE «MERCURY»: WORKTOPS, SINKS, MIXERS.....	54
MEDICAL FURNITURE «MERCURY»: COLLECTION OF COLORS.....	58

*1. Notes:*

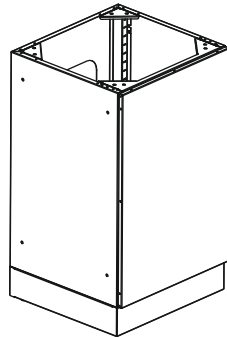
- 1. Prices in the price list are given in conventional units (1 c.u. = 1 euro at the rate of purchase on the interbank currency exchange on the day of payment).*
- 2. Prices in the price list are indicated for white modules RAL 9016.*
- 3. All prices in the catalog are specified on the terms of EXW (self-pickup from Ternopil).  
The cost of delivery across Ukraine is defined additionally.*
- 4. The cost of installation is not included in the cost of modules, but is determined additionally.*

SECTION I  
**MODULES ON BASE**



**MEDICAL FURNITURE: MODULES ON BASE**

Article: MePUSH-MB-wbR  
MePUSH-MB-wbL



**MODULE OF MEDICAL FURNITURE FOR SINK**

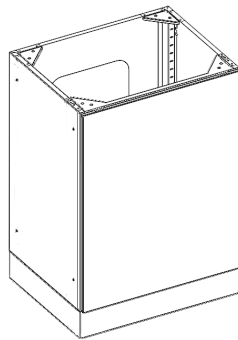
**512,00 €**

Module for sink, right / left door opening.

Dimensions (HxLxD): 850×500×480 mm

Weight: 25 kg

Article: MePUSH-MB-60 wbR  
MePUSH-MB-60 wbL



**MODULE OF MEDICAL FURNITURE FOR SINK**

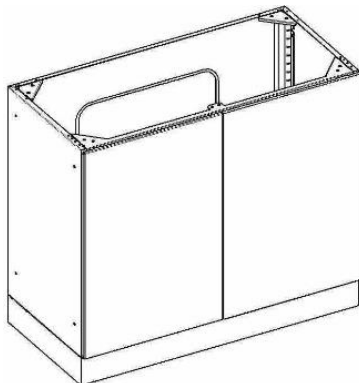
**613,00 €**

Module for sink, right / left door opening.

Dimensions (HxLxD): 850×600×480 mm

Weight: 27,3 kg

Article: MePush-MB-2wbRL



**MODULE OF MEDICAL FURNITURE FOR SINK**

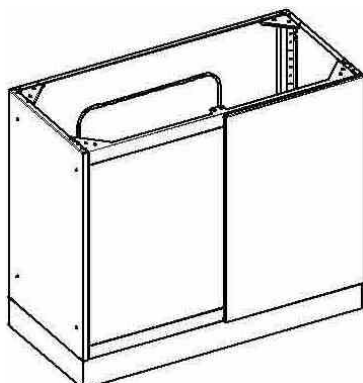
**922,00 €**

Module for sink, right & left door opening.

Dimensions (HxLxD): 850×1000×482 mm

Weight: 43 kg

Article: MePush-MB-wb corner L



**MODULE OF MEDICAL FURNITURE FOR SINK**

**922,00 €**

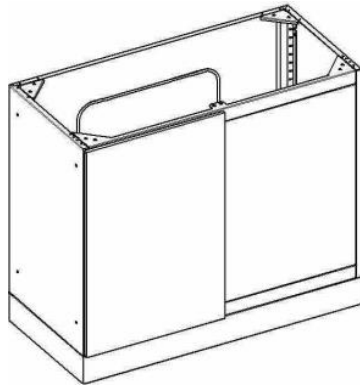
Module for sink, left corner

Dimensions (HxLxD): 850×1000×482 mm

Weight: 38 kg

**MEDICAL FURNITURE: MODULES ON BASE**

Article: MePush-MB-wb corner R



MODULE OF MEDICAL FURNITURE FOR SINK

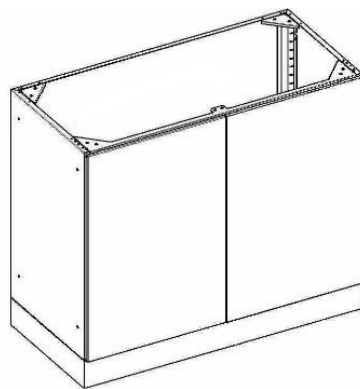
922,00 €

Module for sink, right corner

Dimensions (HxLxD): 850×1000×482 mm

Weight: 38 kg.

Article: MePush-MB-2dsRL



MODULE OF MEDICAL FURNITURE WITH DOOR

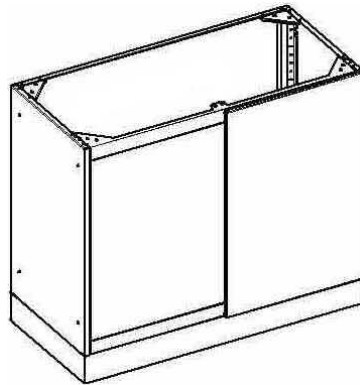
1004,00 €

Module with doors and shelves, right & left door opening.

Dimensions (HxLxD): 850×1000×482 mm

Weight: 49 kg

Article: MePush-MB-ds corner L



MODULE OF MEDICAL FURNITURE WITH DOOR

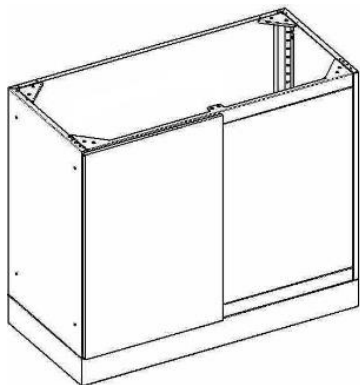
1004,00 €

Module with doors and shelves, left corner

Dimensions (HxLxD): 850×1000×482 mm

Weight: 44 kg

Article: MePush-MB-ds corner R



MODULE OF MEDICAL FURNITURE WITH DOOR

1004,00 €

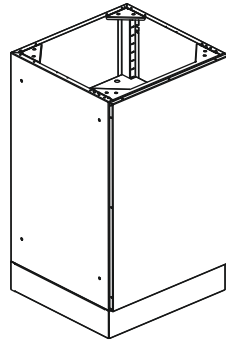
Module with doors and shelves, right corner

Dimensions (HxLxD): 850×1000×482 mm

Weight: 44 kg

**MEDICAL FURNITURE: MODULES ON BASE**

Article: MePush-MB-60 dsR  
MePush-MB-60 dsL



**MODULE OF MEDICAL FURNITURE WITH DOOR**

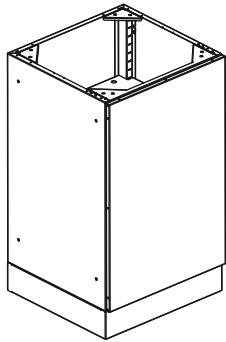
Module with doors and shelves, right / left door opening.

**670,00 €**

Dimensions (HxLxD): 850×600×480 mm

Weight: 32,3 kg

Article: MePush-MB-dsR  
MePush-MB-dsL



**MODULE OF MEDICAL FURNITURE WITH DOOR**

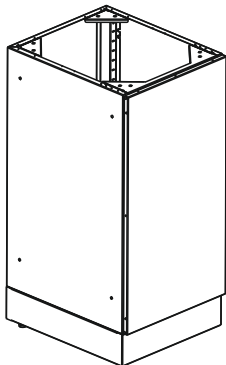
Module with doors and shelves, right / left door opening.

**558,00 €**

Dimensions (HxLxD): 850×500×480 mm

Weight: 28,3 kg

Article: MePush-MB-dsnR  
MePush-MB-dsnL



**MODULE OF MEDICAL FURNITURE WITH DOOR**

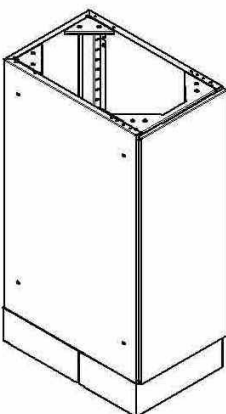
Module with doors and shelves 400 mm wide, right / left door opening.

**542,00 €**

Dimensions (HxLxD): 850×400×480 mm

Weight: 24,8 kg

Article: MePush-MB-30dsR/L



**MODULE OF MEDICAL FURNITURE WITH DOOR**

**542,00 €**

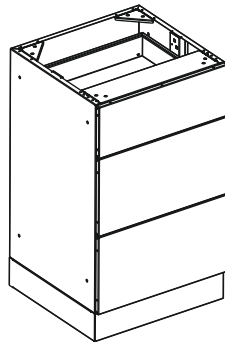
Module with doors and shelves 300 mm wide, right / left door opening.

Dimensions (HxLxD): 850×300×480 mm

Weight: 21,5 kg.

**MEDICAL FURNITURE: MODULES ON BASE**

Article: MePush-MB-2l1m



**MODULE OF MEDICAL FURNITURE WITH DRAWERS**

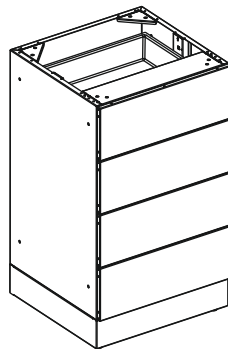
**794,00 €**

Module for 3 drawers (2l1m)

Dimensions (HxLxD): 850×500×480 mm

Weight: 36,1 kg

Article: MePush-MB-4m



**MODULE OF MEDICAL FURNITURE WITH DRAWERS**

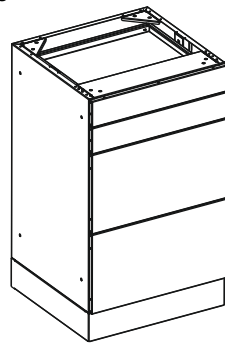
**913,00 €**

Module for 4 drawers (4m)

Dimensions (HxLxD): 850×500×480 mm

Weight: 41,5 kg

Article: MePush-MB-2l2s



**MODULE OF MEDICAL FURNITURE WITH DRAWERS**

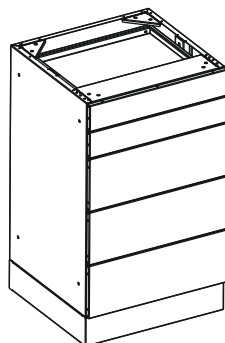
**897,00 €**

Module for 4 drawers (2l2s)

Dimensions (HxLxD): 850×500×480 mm

Weight: 39,6 kg

Article: MePush-MB-3m2s



**MODULE OF MEDICAL FURNITURE WITH DRAWERS**

**1010,00 €**

Module for 5 drawers (3m2s)

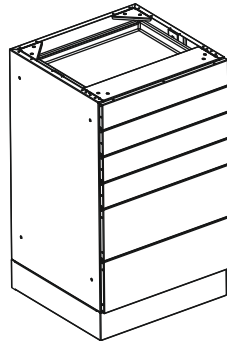
Dimensions (HxLxD): 850×500×480 mm

Weight: 45 kg

**MEDICAL FURNITURE: MODULES ON BASE**

---

Article: MePush-MB-2m4s



**MODULE OF MEDICAL FURNITURE WITH DRAWERS**

Module for 6 drawers (2m4s)

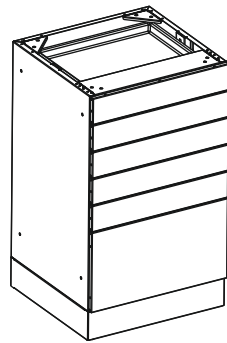
Dimensions (HxLxD): 850×500×480 mm

Weight: 48,7 kg

**1105,00 €**

---

Article: MePush-MB-115s



**MODULE OF MEDICAL FURNITURE WITH DRAWERS**

Module for 6 drawers (115s)

Dimensions (HxLxD): 850×500×480 mm

Weight: 47,9 kg

**1105,00 €**

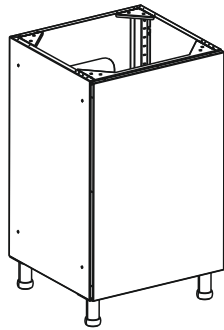
---

SECTION II  
**MODULES ON FEET**



**MEDICAL FURNITURE: MODULES ON FEET**

Article: MePush-MF-wbR  
MePush-MF-wbL



**MODULE OF MEDICAL FURNITURE FOR SINK**

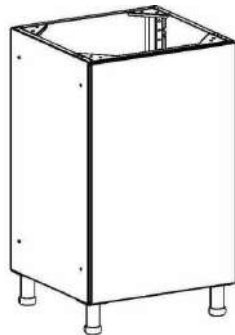
**512,00 €**

Module for sink

Dimensions (HxLxD): 850×500×480 mm

Weight: 23 kg

Article: MePush-MF-60 wbR  
MePush-MF-60 wbL



**MODULE OF MEDICAL FURNITURE FOR SINK**

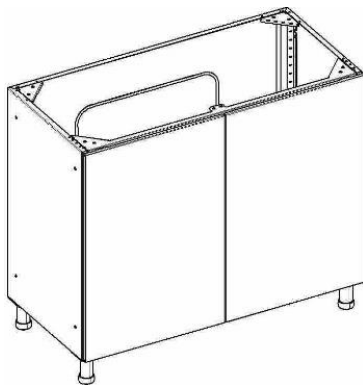
**613,00 €**

Module for sink

Dimensions (HxLxD): 850×600×480 mm

Weight: 26,5 kg

Article: MePush-MF-2wbRL



**MODULE OF MEDICAL FURNITURE FOR SINK**

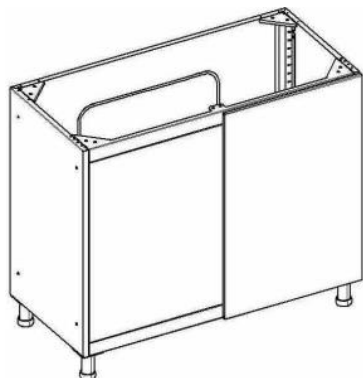
**922,00 €**

Module for sink, right / left door opening.

Dimensions (HxLxD): 847×1000×481 mm

Weight: 40,5 kg

Article: MePush-MF-wb corner L



**MODULE OF MEDICAL FURNITURE FOR SINK**

**922,00 €**

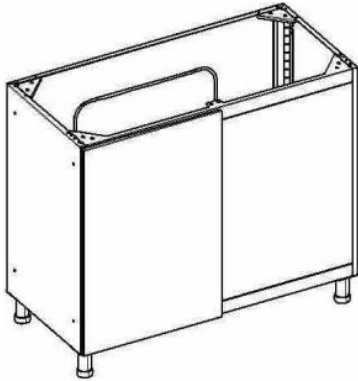
Module for sink, left corner

Dimensions (HxLxD): 847×1000×481 mm

Weight: 35,5 kg

**MEDICAL FURNITURE: MODULES ON FEET**

Article: MePush-MF-wb corner R



**MODULE OF MEDICAL FURNITURE FOR SINK**

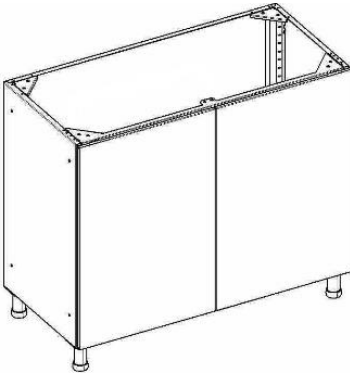
922,00 €

Module for sink, right corner

Dimensions (HxLxD): 847×1000×481 mm

Weight: 35,5 kg

Article: MePush-MF-2dsRL



**MODULE OF MEDICAL FURNITURE WITH DOOR**

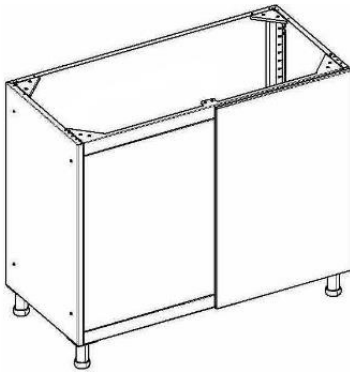
1005,00 €

Module with doors and shelves, right / left door opening.

Dimensions (HxLxD): 847×1000×481 mm

Weight: 46,5 kg

Article: MePush-MF-ds corner L



**MODULE OF MEDICAL FURNITURE WITH DOOR**

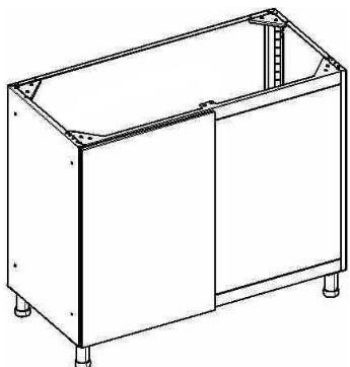
1005,00 €

Module with doors and shelves, left corner

Dimensions (HxLxD): 847×1000×481 mm

Weight: 41,5 kg

Article: MePush-MF-ds corner R



**MODULE OF MEDICAL FURNITURE WITH DOOR**

1005,00 €

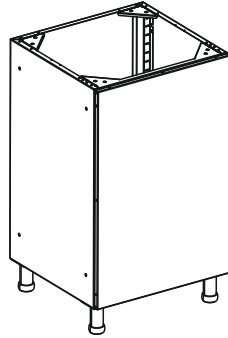
Module with doors and shelves, right corner

Dimensions (HxLxD): 847×1000×481 mm

Weight: 41,5 kg

**MEDICAL FURNITURE: MODULES ON FEET**

Article: MePush-MF-dsR  
MePush-MF-dsL



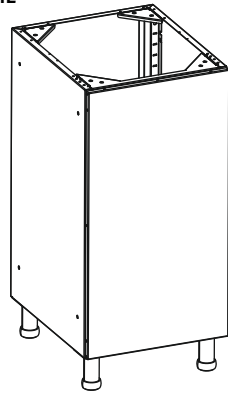
MODULE OF MEDICAL FURNITURE WITH DOOR

558,00 €

Dimensions (HxLxD): 850×500×480 mm

Weight: 26,2 kg

Article: MePush-MF-dsnR  
MePush-MF-dsnL



MODULE OF MEDICAL FURNITURE WITH DOOR

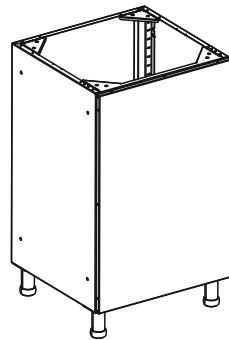
542,00 €

Module with door

Dimensions (HxLxD): 850×400×480 mm

Weight: 22,7 kg

Article: MePush-MF-60 dsR  
MePush-MF-60 dsL



MODULE OF MEDICAL FURNITURE WITH DOOR

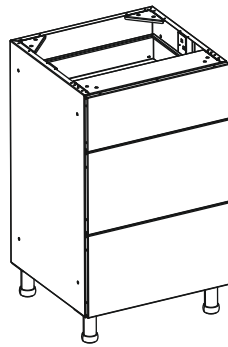
670,00 €

Dimensions (HxLxD): 850×600×480 mm

Weight: 32,3 kg

**MEDICAL FURNITURE: MODULES ON FEET**

Article: MePush-MF-2l1m



**MODULE OF MEDICAL FURNITURE WITH DRAWERS**

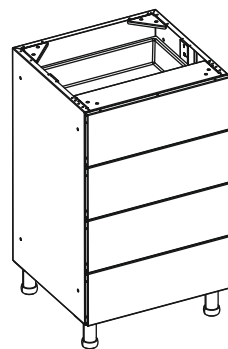
Module for 3 drawers (2l1m)

Dimensions (HxLxD): 850×500×480 mm

Weight: 33,5 kg

**794,00 €**

Article: MePush-MF-4m



**MODULE OF MEDICAL FURNITURE WITH DRAWERS**

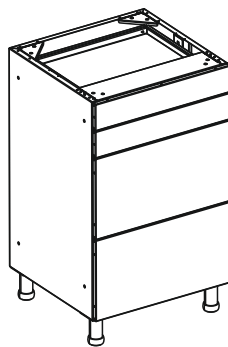
Module for 4 drawers (4m)

Dimensions (HxLxD): 850×500×480 mm

Weight: 40,4 kg

**913,00 €**

Article: MePush-MF-2l2s



**MODULE OF MEDICAL FURNITURE WITH DRAWERS**

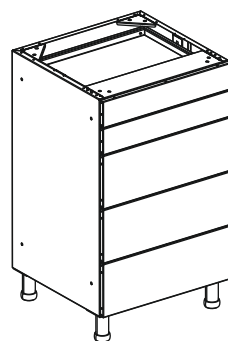
Module for 4 drawers (2l2s)

Dimensions (HxLxD): 850×500×480 mm

Weight: 36,7 kg

**897,00 €**

Article: MePush-MF-3m2s



**MODULE OF MEDICAL FURNITURE WITH DRAWERS**

Module for 5 drawers (3m2s)

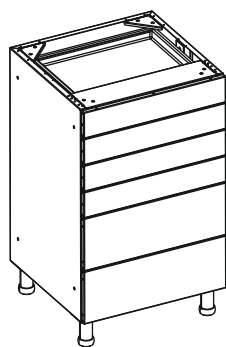
Dimensions (HxLxD): 850×500×480 mm

Weight: 41,9 kg

**1010,00 €**

**MEDICAL FURNITURE: MODULES ON FEET**

Article: MePush-MF-2m4s



**MODULE OF MEDICAL FURNITURE WITH DRAWERS**

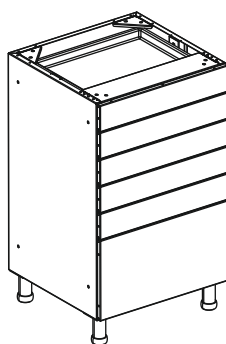
Module for 6 drawers (2m4s)

Dimensions (HxLxD): 850×500×480 mm

Weight: 45,5 kg

**1105,00 €**

Article: MePush-MF-1l5s



**MODULE OF MEDICAL FURNITURE WITH DRAWERS**

Module for 3 drawers (1l5s)

Dimensions (HxLxD): 850×500×480 mm

Weight: 44,6 kg

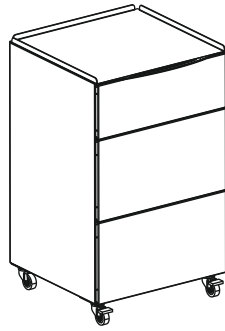
**1105,00 €**

SECTION III  
**MODULES WITH WHEEL BASE**



**MEDICAL FURNITURE: MOBILE MODULES**

Article: MePush-MM-2l1m



**MEDICAL MODULE WITH WHEEL BASE**

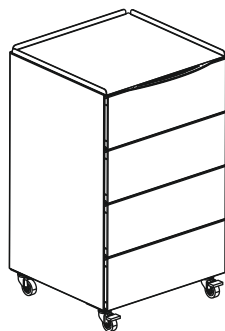
Mobile module for 3 drawers (2l1m)

Dimensions (HxLxD): 840×500×480 mm

Weight: 39,1 kg

**836,00 €**

Article: MePush-MM-4m



**MEDICAL MODULE WITH WHEEL BASE**

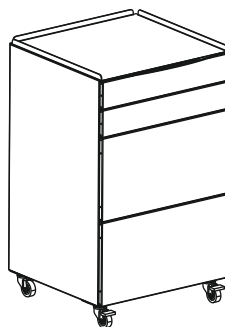
Mobile module for 4 drawers (4m)

Dimensions (HxLxD): 840×500×480 mm

Weight: 44,5 kg

**959,00 €**

Article: MePush-MM-2l2s



**MEDICAL MODULE WITH WHEEL BASE**

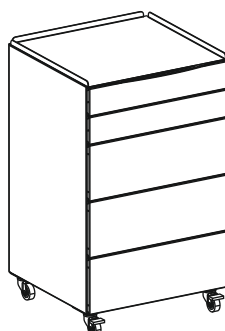
Mobile module for 4 drawers (2l2s)

Dimensions (HxLxD): 840×500×480 mm

Weight: 42,3 kg

**940,00 €**

Article: MePush-MM-3m2s



**MEDICAL MODULE WITH WHEEL BASE**

Mobile module for 5 drawers (3m2s)

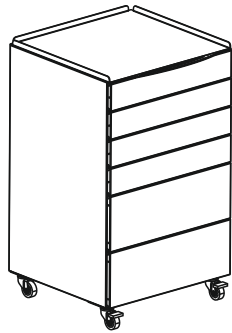
Dimensions (HxLxD): 840×500×480 mm

Weight: 48 kg

**1060,00 €**

**MEDICAL FURNITURE: MOBILE MODULES**

Article: MePush-MM-2m4s



**MEDICAL MODULE WITH WHEEL BASE**

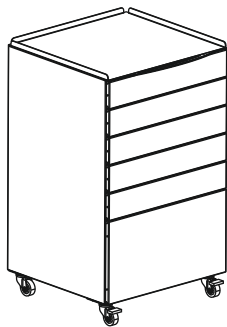
Mobile module for 6 drawers (2m4s)

Dimensions (HxLxD): 840×500×480 mm

Weight: 51,8 kg

**1070,00 €**

Article: MePush-MM-1l5s



**MEDICAL MODULE WITH WHEEL BASE**

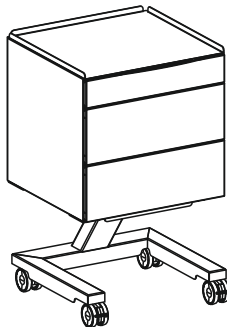
Mobile module for 6 drawers (1l5s)

Dimensions (HxLxD): 840×500×480 mm

Weight: 50,9 kg

**1158,00 €**

Article: MePush-MMS-2m1s



**MEDICAL MODULE WITH WHEEL BASE**

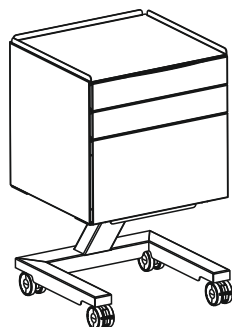
Mobile module, on oblique foot,  
for 3 drawers (2m1s)

Dimensions (HxLxD): 830×500×480 mm

Weight: 39,4 kg

**850,00 €**

Article: MePush-MMS-1l2s



**MEDICAL MODULE WITH WHEEL BASE**

Mobile module, on oblique foot, for 3 drawers (1l2s)

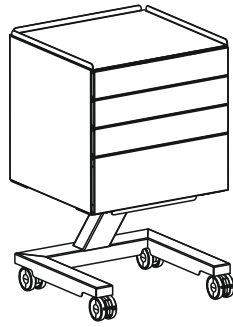
Dimensions (HxLxD): 830×500×480 mm

Weight: 38,6 kg

**850,00 €**

**MEDICAL FURNITURE: MOBILE MODULES**

Article: MePush-MMS-1m3s



**MEDICAL MODULE WITH WHEEL BASE**

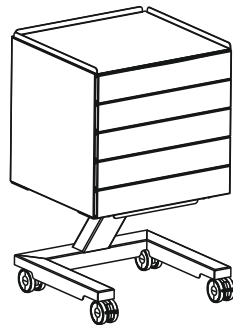
Mobile module, on oblique foot, for 4 drawers (1m3s)

**894,00 €**

Dimensions (HxLxD): 830×500×480 mm

Weight: 43,2 kg

Article: MePush-MMS-5s



**MEDICAL MODULE WITH WHEEL BASE**

Mobile module, on oblique foot, for 5 drawers (5s)

**936,00 €**

Dimensions (HxLxD): 830×500×480 mm

Weight: 47,1 kg

Article: MMM-Cass/Ster



**MEDICAL MOBILE MODULE FOR STERILIZED CASSETTES**

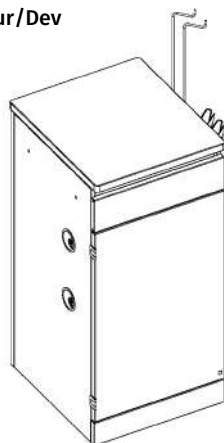
**1250,00 €**

Medical mobile module for sterilized cassettes

Dimensions (HxDxH): 990 x 450 x 495

Weight: 45 kg.

Article: MMM-Sur/Dev



**MEDICAL MOBILE MODULE FOR SURGICAL DEVICES**

**1337,00 €**

Medical mobile module for surgical devices

Dimensions (HxDxH): 900 x 420 x 480

Weight: 43 kg.

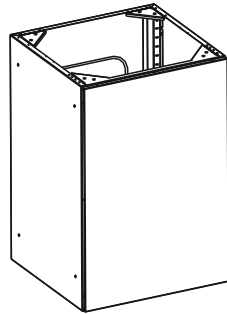
SECTION IV

**MODULES ON FRAME**



**MEDICAL FURNITURE: MODULES ON FRAME**

Article: MePush-MR-wbR  
MePush-MR-wbL



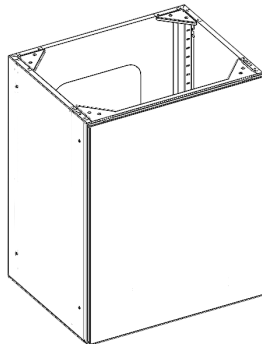
**MODULE OF MEDICAL FURNITURE FOR SINK ON FRAME 358,00 €**

Module for sink, right / left door opening.

Dimensions (HxLxD): 750×500×480 mm

Weight: 22,5 kg

Article: MePush-MR-60 wbR  
MePush-MR-60 wbL



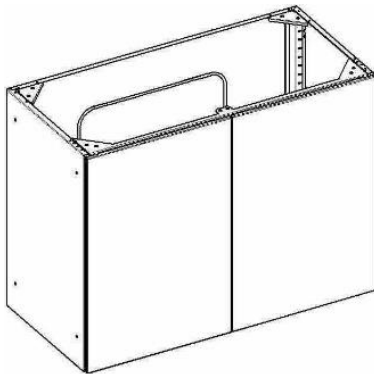
**MODULE OF MEDICAL FURNITURE FOR SINK ON FRAME 429,00 €**

Module for sink, right / left door opening.

Dimensions (HxLxD): 750×600×480 mm

Weight: 24,8 kg

Article: MePush-MR-2wbRL



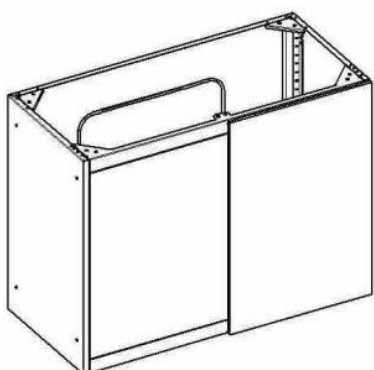
**MODULE OF MEDICAL FURNITURE FOR SINK ON FRAME 644,00 €**

Module for sink, right & left door opening.

Dimensions (HxLxD): 747×1000×481 mm

Weight: 39,5 kg

Article: MePush-MR-wb corner L



**MODULE OF MEDICAL FURNITURE FOR SINK ON FRAME 644,00 €**

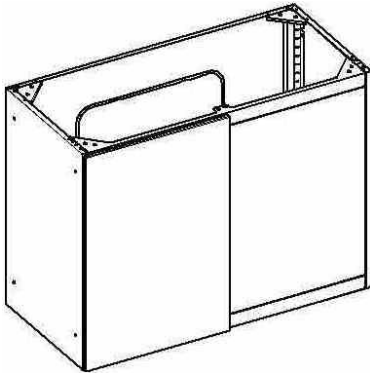
Module for sink, left corner

Dimensions (HxLxD): 747×1000×481 mm

Weight: 34,5 kg

**MEDICAL FURNITURE: MODULES ON FRAME**

Article: MePush-MR-wb corner R



**MODULE OF MEDICAL FURNITURE FOR SINK ON FRAM**

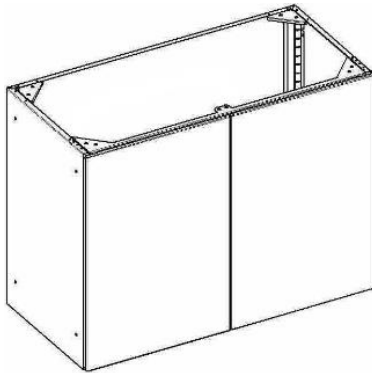
**644,00 €**

Module for sink, right corner

Dimensions (HxLxD): 747x1000x481 mm

Weight: 34,5 kg

Article: MePush-MR-2dsRL



**MODULE OF MEDICAL FURNITURE FOR SINK ON FRAME**

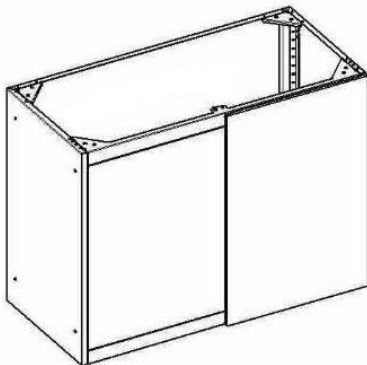
**727,00 €**

Module with doors and shelves, right & left door opening.

Dimensions (HxLxD): 747x1000x481 mm

Weight: 45,5 kg

Article: MePush-MR-ds corner L



**MODULE OF MEDICAL FURNITURE FOR SINK ON FRAME**

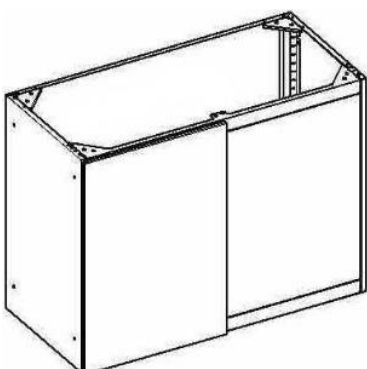
**727,00 €**

Module with doors and shelves, left corner

Dimensions (HxLxD): 747x1000x481 mm

Weight: 40,5 kg

Article: MePush-MR-ds corner R



**MODULE OF MEDICAL FURNITURE FOR SINK ON FRAME**

**727,00 €**

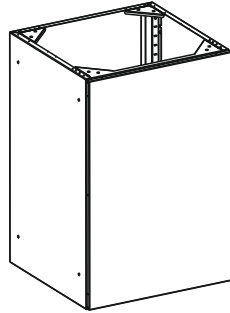
Module with doors and shelves, right corner.

Dimensions (HxLxD): 747x1000x481 mm

Weight: 40,5 kg

**MEDICAL FURNITURE: MODULES ON FRAME**

Article: MePush-MR-dsR  
MePush-MR-dsL



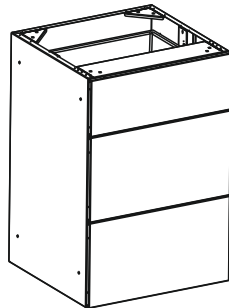
**MODULE OF MEDICAL FURNITURE FOR SINK ON FRAME 404,00 €**

Module with doors and shelves, right / left door opening.

Dimensions (HxLxD): 750x500x480 mm

Weight: 28,3 kg

Article: MePush-MR-2l1m



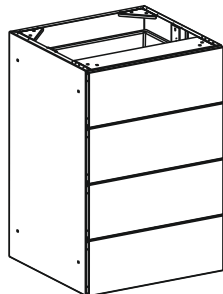
**MODULE OF MEDICAL FURNITURE WITH DRAWERS ON FRAME 640,00 €**

Module of medical furniture for 3 drawers (2l1m)

Dimensions (HxLxD): 750x500x480 mm

Weight: 33,4 kg

Article: MePush-MR-4m



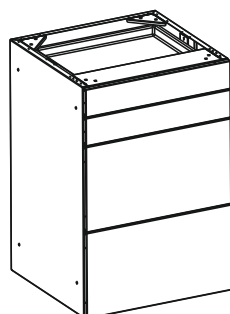
**MODULE OF MEDICAL FURNITURE WITH DRAWERS ON FRAME 759,00 €**

Module of medical furniture for 4 drawers (4m)

Dimensions (HxLxD): 750x500x480 mm

Weight: 38,8 kg

Article: MePush-MR-2l2s



**MODULE OF MEDICAL FURNITURE WITH DRAWERS ON FRAME 759,00 €**

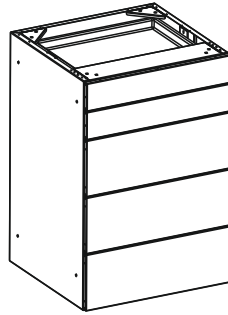
Module of medical furniture for 4 drawers (2l2s)

Dimensions (HxLxD): 750x500x480 mm

Weight: 36,9 kg

**MEDICAL FURNITURE: MODULES ON FRAME**

Article: MePush-MR-3m2s

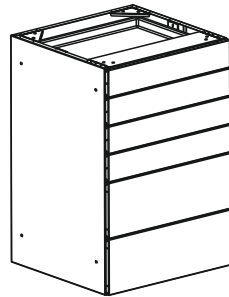
**MODULE OF MEDICAL FURNITURE WITH DRAWERS ON FRAME 856,00 €**

Module of medical furniture for 5 drawers (3m2s)

Dimensions (HxLxD): 750×500×480 mm

Weight: 42,3 kg

Article: MePush-MR-2m4s

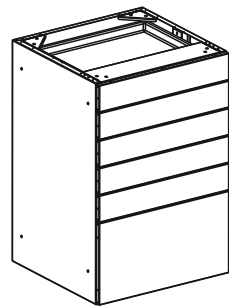
**MODULE OF MEDICAL FURNITURE WITH DRAWERS ON FRAME 863,00 €**

Module of medical furniture for 6 drawers (2m4s)

Dimensions (HxLxD): 750×500×480 mm

Weight: 46,1 kg

Article: MePush-MR-1l5s

**MODULE OF MEDICAL FURNITURE WITH DRAWERS ON FRAME 951,00 €**

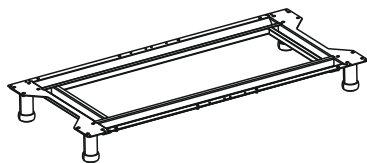
Module of medical furniture for 6 drawers (1l5s)

Dimensions (HxLxD): 750×500×480 mm

Weight: 45,2 kg

**MEDICAL FURNITURE: MODULES ON FRAME**

Article: Me-Frame-2l



SOCLE OF MEDICAL FURNITURE

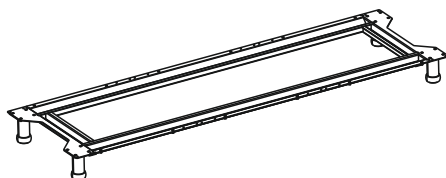
312,00 €

Frame (2 units 500 mm wide)

Dimensions (HxLxD): 100×1000×460 mm

Weight: 8,4 kg

Article: Me-Frame-3l



SOCLE OF MEDICAL FURNITURE

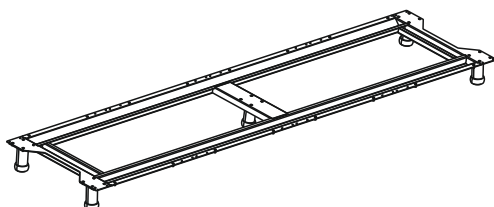
325,00 €

Frame (3 units 500 mm wide)

Dimensions (HxLxD): 100×1500×460 mm

Weight: 11,3 kg

Article: Me-Frame-4l



SOCLE OF MEDICAL FURNITURE

410,00 €

Frame (4 units 500 mm wide)

Dimensions (HxLxD): 100×2000×460 mm

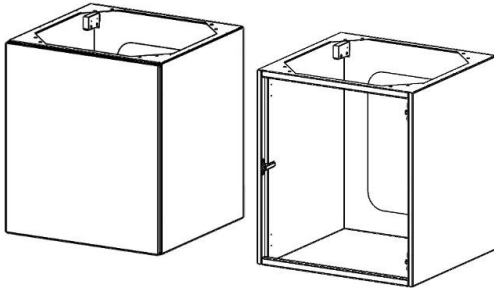
Weight: 15,1 kg

SECTION V  
**HANGING MODULES**



**MEDICAL FURNITURE: HANGING MODULES**

**Article: MePush-MW-wb-R/L**



**MODULE OF MEDICAL FURNITURE FOR SINK**

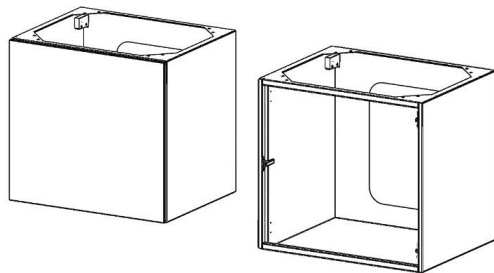
**475,00 €**

Module for sink, right / left door opening.

Dimensions (LxDxH): 500x500x560 mm

Weight: 19,00 kg

**Article: MePush-MW-60 wb-R/L**



**MODULE OF MEDICAL FURNITURE FOR SINK**

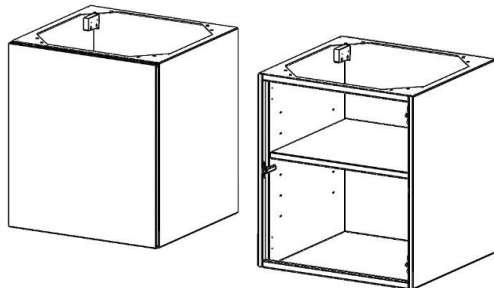
**580,00 €**

Module for sink, right / left door opening.

Dimensions (LxDxH): 600x500x560 mm

Weight: 21,00 kg

**Article: MePush-MW-ds-R/L**



**MODULE OF MEDICAL FURNITURE WITH DOOR**

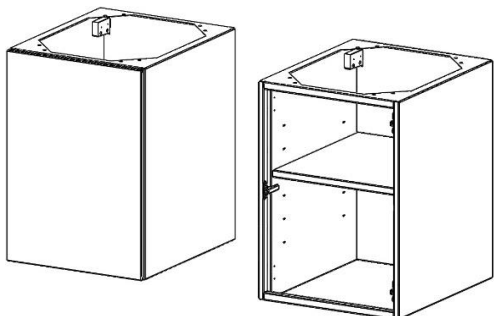
**519,00 €**

Module with doors and shelves, right / left door opening.

Dimensions (LxDxH): 500x500x560 mm

Weight: 21,50 kg

**Article: MePush-MW-dsn-R/L**



**MODULE OF MEDICAL FURNITURE WITH DOOR**

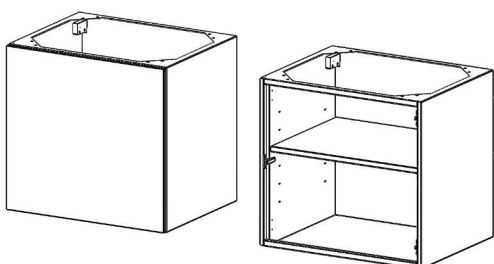
**504,00 €**

Module with doors and shelves, right / left door opening.

Dimensions (LxDxH): 400x500x560 mm

Weight: 19,50 kg

**Article: MePush-MW-60 ds-R/L**



**MODULE OF MEDICAL FURNITURE WITH DOOR**

**624,00 €**

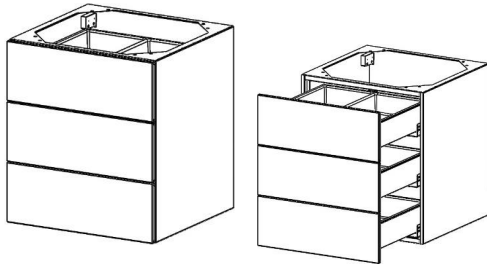
Module with doors and shelves, right / left door opening.

Dimensions (LxDxH): 600x500x560 mm

Weight: 24,00 kg

**MEDICAL FURNITURE: HANGING MODULES**

Article: MePush-MW-3m



**MODULE OF MEDICAL FURNITURE WITH DRAWERS**

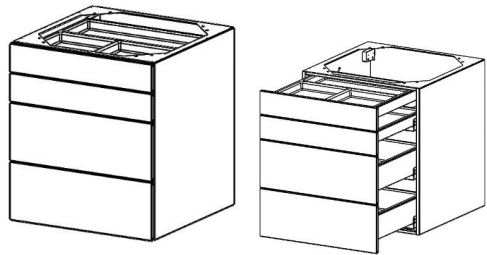
**824,00 €**

Module for 3 drawers (3m).

Dimensions (LxDxH): 500x500x560 mm

Weight: 34,50 κγ

Article: MePush-MW-2s2m



**MODULE OF MEDICAL FURNITURE WITH DRAWERS**

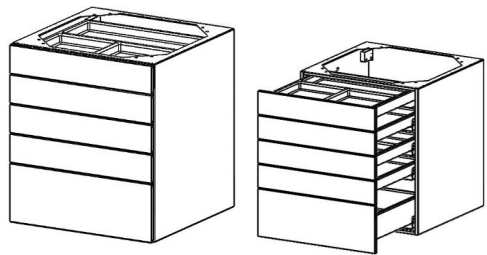
**910,00 €**

(Module for 4 drawers (2s2m). Dimensions (LxDxH):

500x500x560 mm

Weight: 38,00 κγ

Article: MePush-MW-4s1m



**MODULE OF MEDICAL FURNITURE WITH DRAWERS**

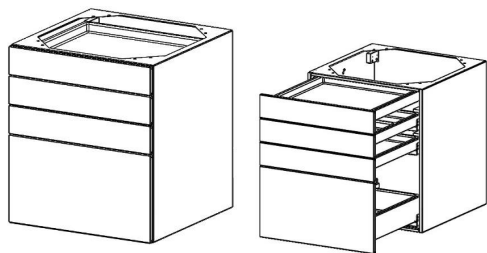
**993,00 €**

Module for 5 drawers (4s1m).

Dimensions (LxDxH): 500x500x560 mm

Weight: 150 κγ.

Article: 1 ü 1



**MODULE OF MEDICAL FURNITURE WITH DRAWERS**

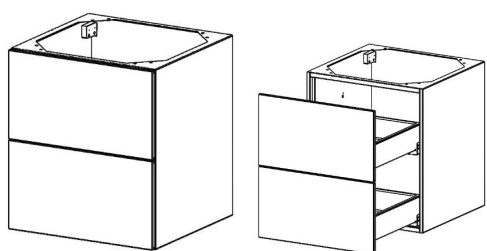
**910,00 €**

Module for 4 drawers (3s1l).

Dimensions (LxDxH): 500x500x560 mm

Weight: 37,00 κγ.

Article: MePush-MW-2l



**MODULE OF MEDICAL FURNITURE WITH DRAWERS**

**721,00 €**

Module for 2 drawers (2l).

Dimensions (LxDxH): 500x500x560 mm

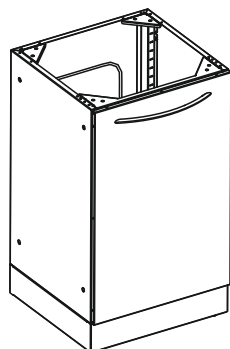
Weight: 29,00 κγ

SECTION VI  
**MODULES ON BASE**



**MEDICAL FURNITURE: MODULES ON BASE**

Article: Me-MB-wbR  
Me-MB-wbL



**MODULE OF MEDICAL FURNITURE FOR SINK**

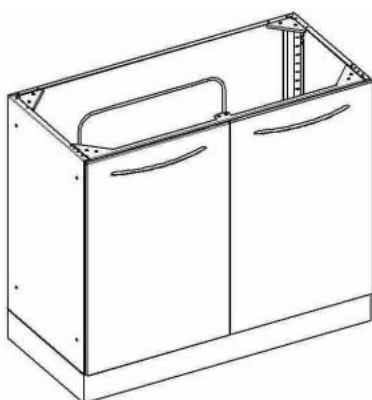
**512,00 €**

Medical module for sink, right / left door opening.

Dimensions (HxLxD): 850×500×480 mm

Weight: 25,9 kg

Article: Me-MB-2wbRL



**MODULE OF MEDICAL FURNITURE FOR SINK**

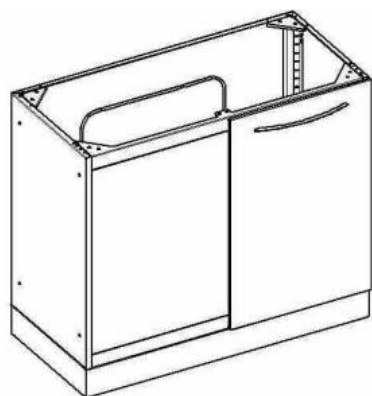
**922,00 €**

Medical module for sink, right & left door opening.

Dimensions (HxLxD): 850×1000×509 mm

Weight: 43 kg

Article: Me-MB-wb corner L



**MODULE OF MEDICAL FURNITURE FOR SINK**

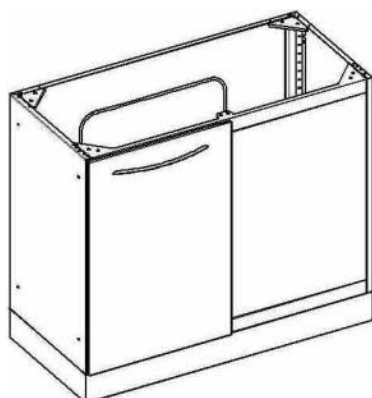
**922,00 €**

Medical module for sink, left corner

Dimensions (HxLxD): 850×1000×509 mm

Weight: 38 kg

Article: Me-MB-wb corner R



**MODULE OF MEDICAL FURNITURE FOR SINK**

**922,00 €**

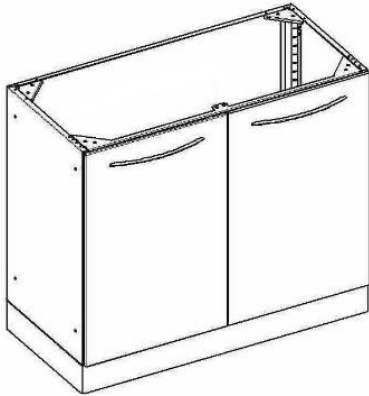
Medical module for sink, right corner

Dimensions (HxLxD): 850×1000×509 mm

Weight: 38 kg

**MEDICAL FURNITURE: MODULES ON BASE**

Article: Me-MB-2dsRL



**MODULE OF MEDICAL FURNITURE WITH DOOR**

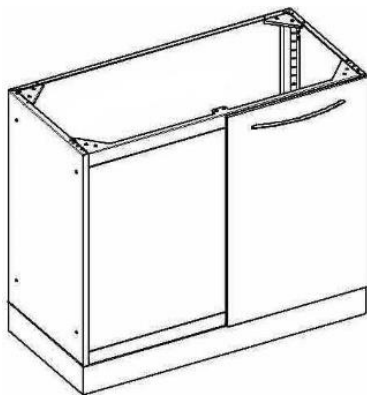
**1004,00 €**

Module with door and shelves, right / left door opening.

Dimensions (HxLxD): 850x1000x509 mm

Weight: 49 kg

Article: Me-MB-ds corner L



**MODULE OF MEDICAL FURNITURE WITH DOOR**

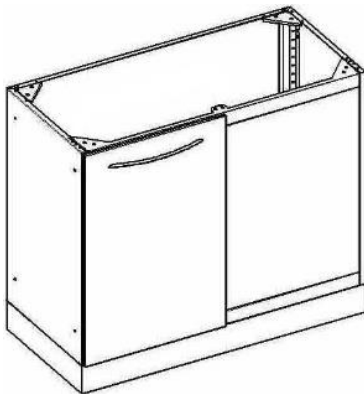
**1004,00 €**

Module with door and shelves, left corner

Dimensions (HxLxD): 850x1000x509 mm

Weight: 44 kg

Article: Me-MB-ds corner R



**MODULE OF MEDICAL FURNITURE WITH DOOR**

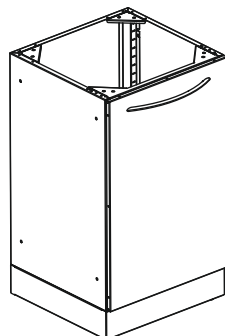
**1004,00 €**

Module with door and shelves, right corner

Dimensions (HxLxD): 850x1000x509 mm

Weight: 44 kg

Article: Me-MB-dsR  
Me-MB-dsL



**MODULE OF MEDICAL FURNITURE WITH DOOR**

**558,00 €**

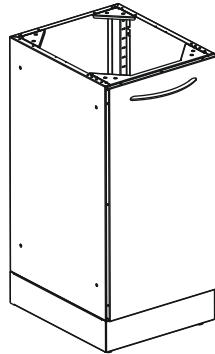
Module with door, right / left door opening.

Dimensions (HxLxD): 850x500x480 mm

Weight: 26,9 kg

**MEDICAL FURNITURE: MODULES ON BASE**

Article: Me-MB-dsnR  
Me-MB-dsnL



**MODULE OF MEDICAL FURNITURE WITH DOOR**

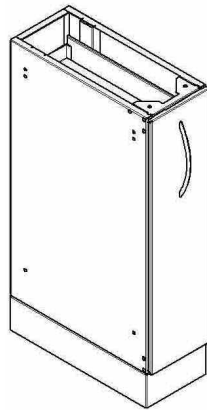
**542,00 €**

Module with door and shelves 400 mm wide, right / left door opening.

Dimensions (HxLxD): 850×400×480 mm

Weight: 25,5 kg

Article: Me-MB-20ds



**MODULE OF MEDICAL FURNITURE WITH DOOR**

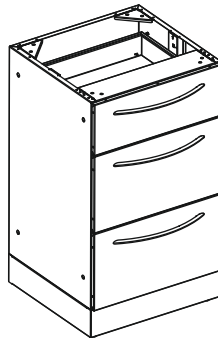
**509,00 €**

Module with door and shelves 200 mm wide, right / left door opening.

Dimensions (HxLxD): 850×200×480 mm

Weight: 21 kg

Article: Me-MB-2l1m



**MODULE OF MEDICAL FURNITURE WITH DRAWERS**

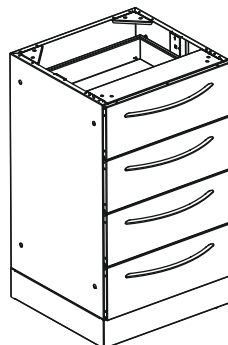
**775,00 €**

Module for 3 drawers (2l1m)

Dimensions (HxLxD): 850×500×480 mm

Weight: 34,7 kg

Article: Me-MB-4m



**MODULE OF MEDICAL FURNITURE WITH DRAWERS**

**887,00 €**

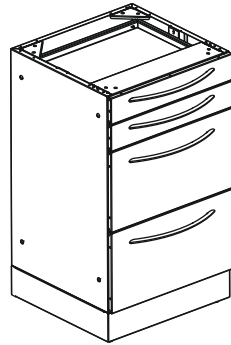
Module for 4 drawers (4m)

Dimensions (HxLxD): 850×500×480 mm

Weight: 39,6 kg

**MEDICAL FURNITURE: MODULES ON BASE**

Article: Me-MB-2l2s



**MODULE OF MEDICAL FURNITURE WITH DRAWERS**

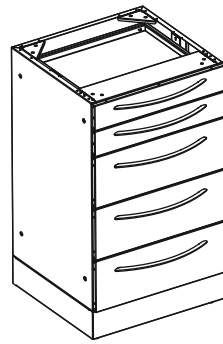
**871,00 €**

Module for 4 drawers (2l2s)

Dimensions (HxLxD): 850×500×480 mm

Weight: 34,7 kg

Article: Me-MB-3m2s



**MODULE OF MEDICAL FURNITURE WITH DRAWERS**

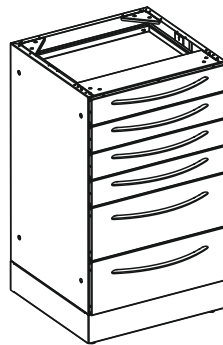
**978,00 €**

Module for 5 drawers (3m2s)

Dimensions (HxLxD): 850×500×480 mm

Weight: 42,6 kg

Article: Me-MB-2m4s



**MODULE OF MEDICAL FURNITURE WITH DRAWERS**

**1067,00 €**

Module for 6 drawers (2m4s)

Dimensions (HxLxD): 850×500×480 mm

Weight: 45,9 kg

Article: Me-MB-1l5s



**MODULE OF MEDICAL FURNITURE WITH DRAWERS**

**1067,00 €**

Module for 6 drawers (1l5s)

Dimensions (HxLxD): 850×500×480 mm

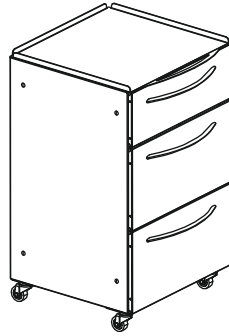
Weight: 45,1 kg

SECTION VII  
**MODULE WITH WHEEL BASE**



**MEDICAL FURNITURE: MOBILE MODULES**

Article: Me-MM-2l1m



MODULE OF MEDICAL FURNITURE WITH WHEEL BASE

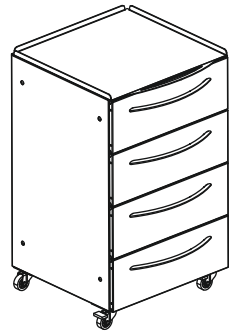
817,00 €

Mobile module for 3 drawers (2l1m)

Dimensions (HxLxD): 840×500×480 mm

Weight: 37,6 kg

Article: Me-MM-4m



MODULE OF MEDICAL FURNITURE WITH WHEEL BASE

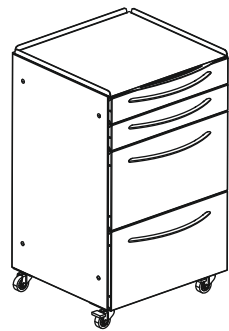
933,00 €

Mobile module for 4 drawers (4m)

Dimensions (HxLxD): 840×500×480 mm

Weight: 42,6 kg

Article: Me-MM-2l2s



MODULE OF MEDICAL FURNITURE WITH WHEEL BASE

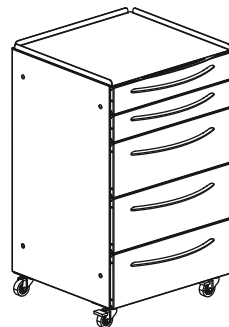
913,00 €

Mobile module for 4 drawers (2l2s)

Dimensions (HxLxD): 840×500×480 mm

Weight: 40,6 kg

Article: Me-MM-3m2s



MODULE OF MEDICAL FURNITURE WITH WHEEL BASE

1029,00 €

Mobile module for 5 drawers (2s3m)

Dimensions (HxLxD): 840 x 500 x 480 mm

Weight: 46,5 kg

**MEDICAL FURNITURE: MOBILE MODULES**

Article: Me-MM-2m4s

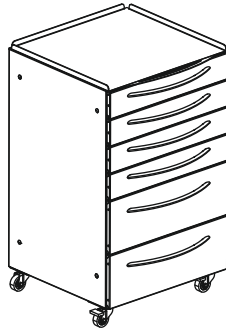
MODULE OF MEDICAL FURNITURE WITH WHEEL BASE

1032,00 €

Mobile module for 6 drawers (2m4s)

Dimensions (HxLxD): 840×500×480 mm

Weight: 51 kg



Article: Me-MM-1l5s

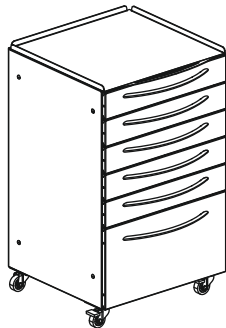
MODULE OF MEDICAL FURNITURE WITH WHEEL BASE

1121,00 €

Mobile module for 6 drawers (1l5s)

Dimensions (HxLxD): 840×500×480 mm

Weight: 48 kg



Article: Me-MMS-2m1s

MODULE OF MEDICAL FURNITURE WITH WHEEL BASE

831,00 €

Mobile module, on oblique foot, for 3 drawers (2m1s)

Dimensions (HxLxD): 830×500×480 mm

Weight: 38,1 kg



Article: Me-MMS-1l2s

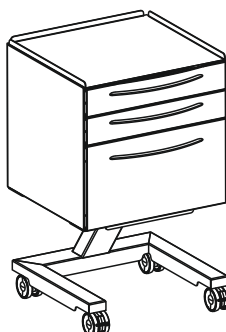
MODULE OF MEDICAL FURNITURE WITH WHEEL BASE

831,00 €

Mobile module, on oblique foot, for 3 drawers (1l2s)

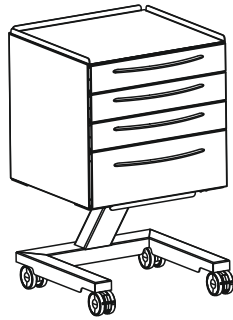
Dimensions (HxLxD): 830×500×480 mm

Weight: 37,3 kg



**MEDICAL FURNITURE: MOBILE MODULES**

Article: Me-MMS-1m3s



**MODULE OF MEDICAL FURNITURE WITH WHEEL BASE**

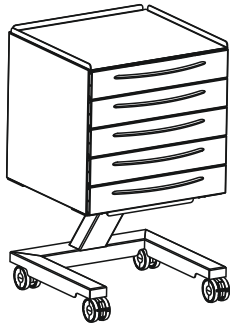
**868,00 €**

Mobile module, on oblique foot, for 4 drawers (1m3s)

Dimensions (HxLxD): 830×500×480 mm

Weight: 41,4 kg

Article: Me-MMS-5s



**MODULE OF MEDICAL FURNITURE WITH WHEEL BASE**

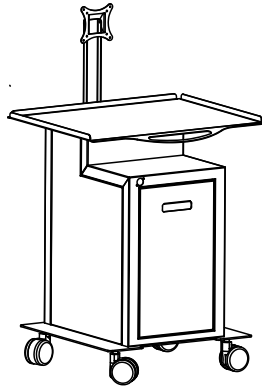
**904,00 €**

Mobile module, on oblique foot, for 5 drawers (5s)

Dimensions (HxLxD): 830×500×480 mm

Weight: 44,8 kg

Article: Si-MM



**MODULE OF MEDICAL FURNITURE FOR 3-D SCANNER**

**850,00 €**

Module of medical furniture (mobile) for 3-D scanner

Dimensions (HxLxD): 1140×651×615mm

Weight: 18,50 kg

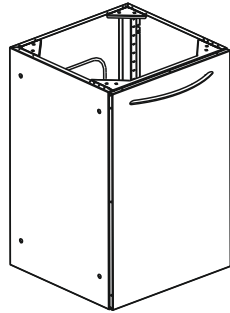
SECTION VIII

**MEDICAL MODULES ON FRAME**



**MEDICAL FURNITURE: MEDICAL MODULES ON FRAME**

Article: Me-MR-wbR  
Me-MR-wbL



**MEDICAL MODULE FOR SINK ON FRAME**

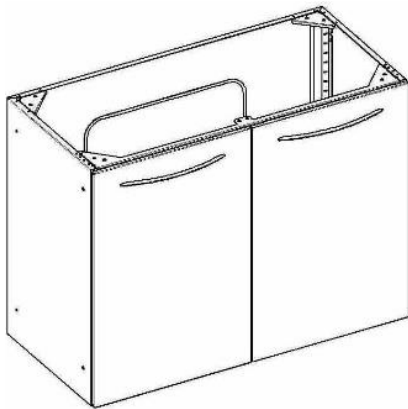
**357,00 €**

Medical module for sink, right / left door opening.

Dimensions (HxLxD): 750×500×480 mm

Weight: 23,2 kg

Article: Me-MR-2wbRL



**MEDICAL MODULE FOR SINK ON FRAME**

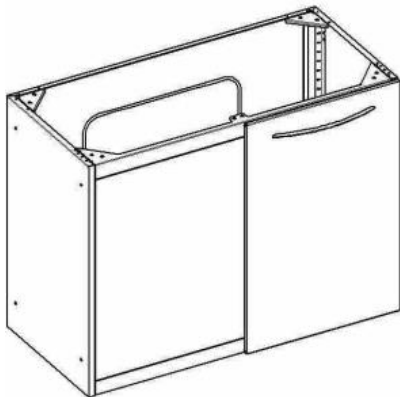
**644,00 €**

Medical module for sink, right & left door opening.

Dimensions (HxLxD): 747×1000×509 mm

Weight: 39,5 kg

Article: Me-MR-wb corner L



**MEDICAL MODULE FOR SINK ON FRAME**

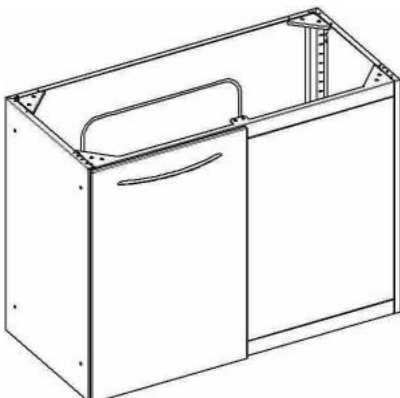
**644,00 €**

Medical module for sink, corner L

Dimensions (HxLxD): 747×1000×509 mm

Weight: 34,5 kg

Article: Me-MR-wb corner R



**MEDICAL MODULE FOR SINK ON FRAME**

**644,00 €**

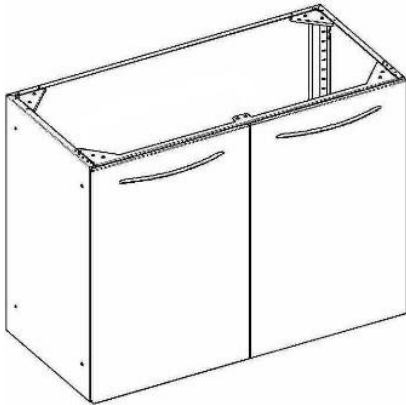
Medical module for sink, corner R

Dimensions (HxLxD): 747×1000×509 mm

Weight: 34,5 kg

**MEDICAL FURNITURE: MEDICAL MODULES ON FRAME**

Article: Me-MR-2dsRL



**MEDICAL MODULE WITH DOOR ON FRAME**

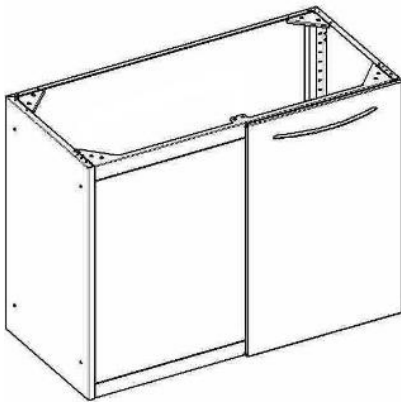
727,00 €

Module with door, right / left door opening.

Dimensions (HxLxD): 747×1000×509 mm

Weight: 45,5 kg

Article: Me-MR-ds corner L



**MEDICAL MODULE WITH DOOR ON FRAME**

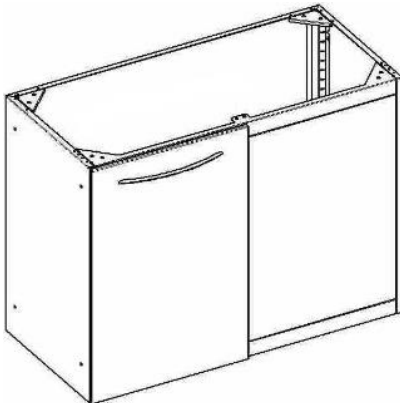
727,00 €

Module with door, left corner

Dimensions (HxLxD): 747×1000×509 mm

Weight: 40,5 kg

Article: Me-MR-ds corner R



**MEDICAL MODULE WITH DOOR ON FRAME**

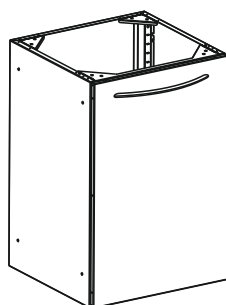
727,00 €

Module with door, right corner

Dimensions (HxLxD): 747×1000×509 mm

Weight: 40,5 kg

Article: Me-MR-dsL  
Me-MR-dsR



**MEDICAL MODULE WITH DOOR ON FRAME**

404,00 €

Module with door, right / left door opening.

Dimensions (HxLxD): 750×500×480 mm

Weight: 24,2 kg

**MEDICAL FURNITURE: MEDICAL MODULES ON FRAME**

Article: Me-MR-2l1m

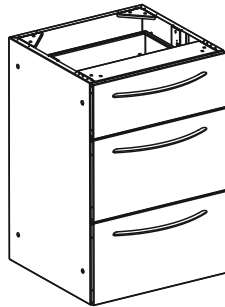
MODULE OF MEDICAL FURNITURE ON FRAME

621,00 €

Module for 3 drawers (2l1m)

Dimensions (HxLxD): 750x500x480 mm

Weight: 32 kg



Article: Me-MR-4m

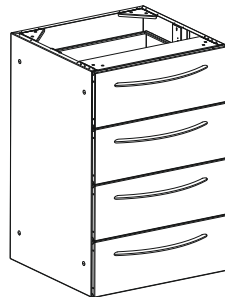
MODULE OF MEDICAL FURNITURE ON FRAME

733,00 €

Module for 4 drawers (4m)

Dimensions (HxLxD): 750x500x480 mm

Weight: 37 kg



Article: Me-MR-2l2s

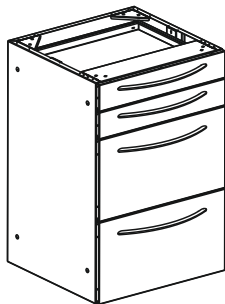
MODULE OF MEDICAL FURNITURE ON FRAME

733,00 €

Module for 4 drawers (2l2s)

Dimensions (HxLxD): 750x500x480 mm

Weight: 35 kg



Article: Me-MR-3m2s

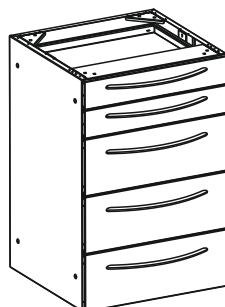
MODULE OF MEDICAL FURNITURE ON FRAME

824,00 €

Module for 5 drawers (3m2s)

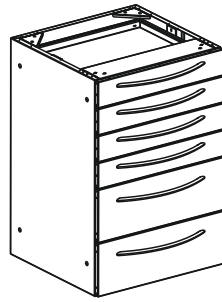
Dimensions (HxLxD): 750x500x480 mm

Weight: 40 kg



**MEDICAL FURNITURE: MEDICAL MODULES ON FRAME**

Article: Me-MR-2m4s



MODULE OF MEDICAL FURNITURE ON FRAME

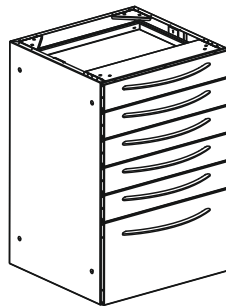
826,00 €

Module for 6 drawers (2m4s)

Dimensions (HxLxD): 750×500×480 mm

Weight: 43,3 kg

Article: Me-MR-1l5s



MODULE OF MEDICAL FURNITURE ON FRAME

913,00 €

Module for 6 drawers (1l5s)

Dimensions (HxLxD): 750×500×480 mm

Weight: 42 kg

**MEDICAL FURNITURE: MEDICAL MODULES ON FRAME**

Article: Me-Frame-2l

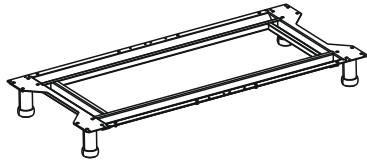
**SOCLE OF MEDICAL FURNITURE**

**312,00 €**

Frame (2 units 500 mm wide)

Dimensions (HxLxD): 100×1000×460 mm

Weight: 8,4 kg



Article: Me-Frame-3l

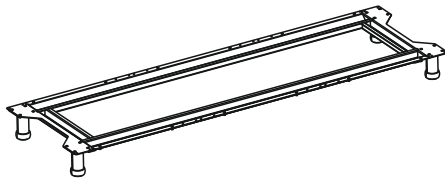
**SOCLE OF MEDICAL FURNITURE**

**325,00 €**

Frame (3 units 500 mm wide)

Dimensions (HxLxD): 100×1500×460 mm

Weight: 11,3 kg



Article: Me-Frame-4l

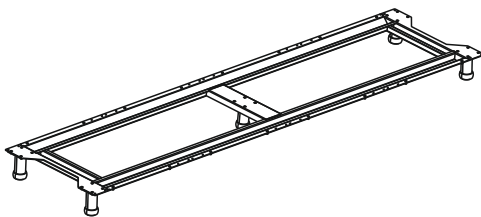
**SOCLE OF MEDICAL FURNITURE**

**410,00 €**

Frame (4 units 500 mm wide)

Dimensions (HxLxD): 100×2000×460 mm

Weight: 15,1 kg

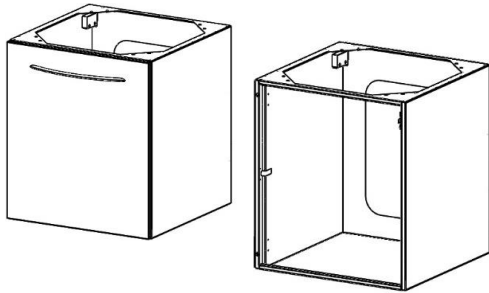


SECTION IX  
**HANGING MODULES**



**MEDICAL FURNITURE: HANGING MODULES**

Article: Me-MW-wb-R/L



**MODULE OF MEDICAL FURNITURE FOR SINK**

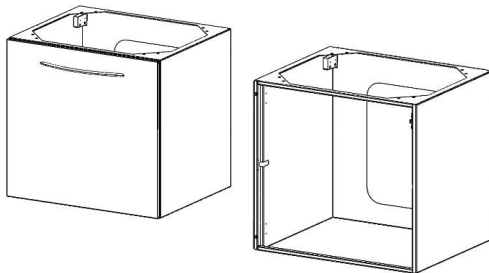
**475,00 €**

Module for sink, right / left door opening.

Dimensions (LxDxH): 500x530x560 mm

Weight: 19,00 kg

Article: Me-MW-60 wb-R/L



**MODULE OF MEDICAL FURNITURE FOR SINK**

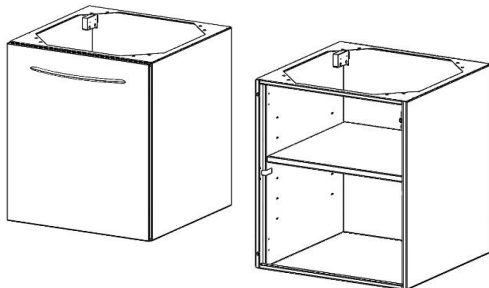
**580,00 €**

Module for sink, right / left door opening.

Dimensions (LxDxH): 600x530x560 mm

Weight: 21,00 kg

Article: Me-MW-ds-R/L



**MODULE OF MEDICAL FURNITURE WITH DOOR**

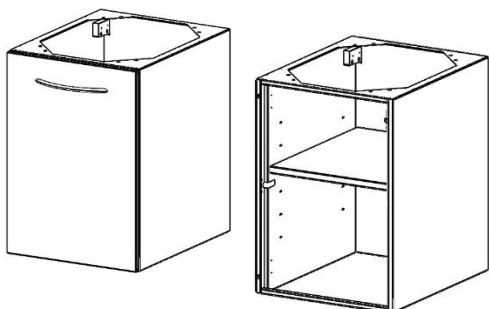
**519,00 €**

Module with doors and shelves, right / left door opening.

Dimensions (LxDxH): 500x530x560 mm

Weight: 21,50 kg

Article: Me-MW-dsn-R/L



**MODULE OF MEDICAL FURNITURE WITH DOOR**

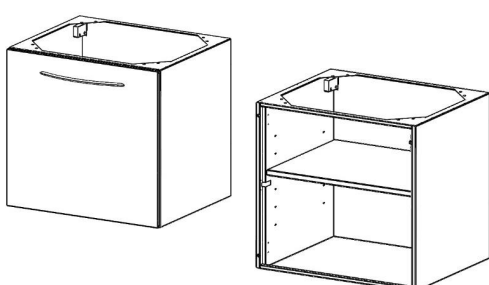
**504,00 €**

Module with doors and shelves, right / left door opening.

Dimensions (LxDxH): 400x530x560 mm

Weight: 19,50 kg

Article: Me-MW-60 ds-R/L



**MODULE OF MEDICAL FURNITURE WITH DOOR**

**624,00 €**

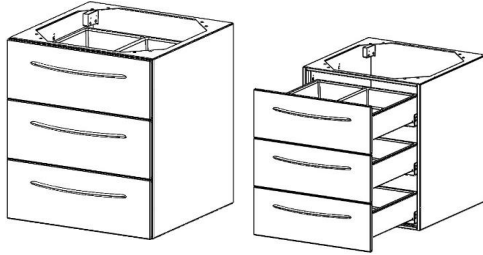
Module with doors and shelves, right / left door opening.

Dimensions (LxDxH): 600x530x560 mm

Weight: 24,00 kg

**MEDICAL FURNITURE: HANGING MODULES**

Article: Me-MW-3m



**MODULE OF MEDICAL FURNITURE WITH DRAWERS**

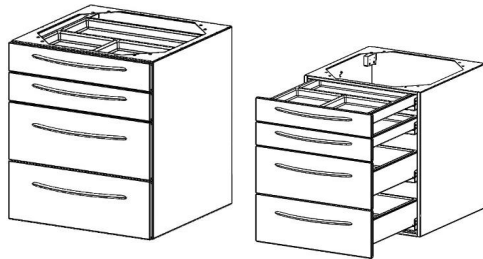
**824,00 €**

Module for 3 drawers (3m).

Dimensions (LxDxH): 500x530x560 mm

Weight: 33,00 kg

Article: Me-MW-2s2m



**MODULE OF MEDICAL FURNITURE WITH DRAWERS**

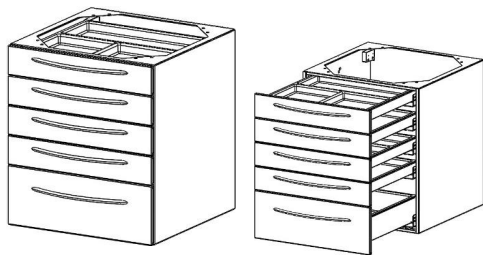
**910,00 €**

Module for 4 drawers (2s2m).

Dimensions (LxDxH): 500x530x560 mm

Weight: 36,00 kg

Article: Me-MW-4s1m



**MODULE OF MEDICAL FURNITURE WITH DRAWERS**

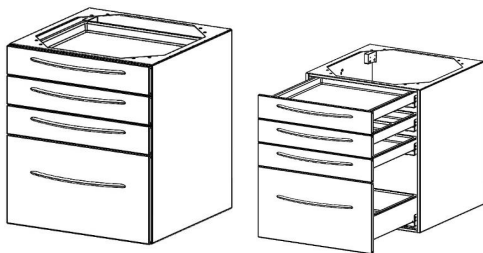
**993,00 €**

Module for 5 drawers (4s1m).

Dimensions (LxDxH): 500x530x560 mm

Weight: 39,50 kg

1 1



**MODULE OF MEDICAL FURNITURE WITH DRAWERS**

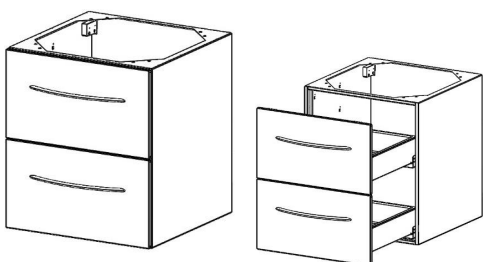
**910,00 €**

Module for 4 drawers (3s1l).

Dimensions (LxDxH): 500x530x560 mm

Weight: 35,50 kg

Article: Me-MW-2l



**MODULE OF MEDICAL FURNITURE WITH DRAWERS**

**721,00 €**

Module for 2 drawers (2l).

Dimensions (LxDxH): 500x530x560 mm

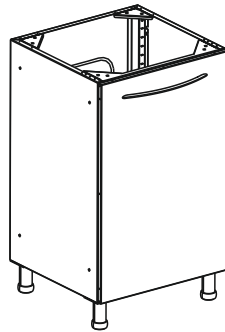
Weight: 28,00 kg

SECTION X  
**MODULES ON FEET**



**MEDICAL FURNITURE: MODULES ON FEET**

Article: ME-MF-wbR  
ME-MF-wbL



**MODULE OF MEDICAL FURNITURE FOR SINK**

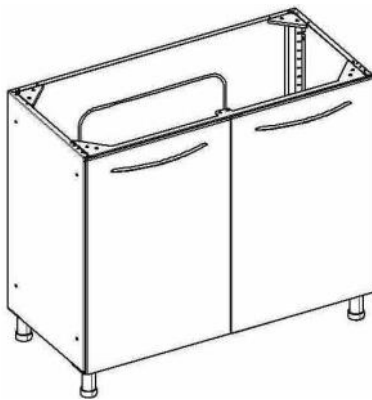
**512,00 €**

Medical module for sink, right / left door opening.

Dimensions (HxLxD): 850×500×480 mm

Weight: 24,7 kg

Article: Me-MF-2wbRL



**MODULE OF MEDICAL FURNITURE FOR SINK**

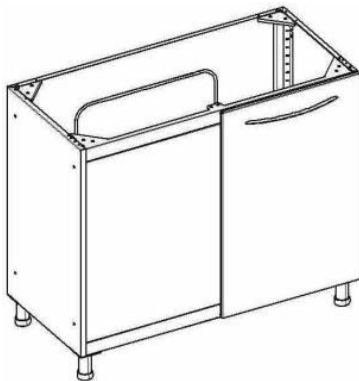
**922,00 €**

Medical module for sink, right & left door

opening. Dimensions (HxLxD): 847×1000×509 mm

Weight: 40,5 kg

Article: Me-MF-wb corner L



**MODULE OF MEDICAL FURNITURE FOR SINK**

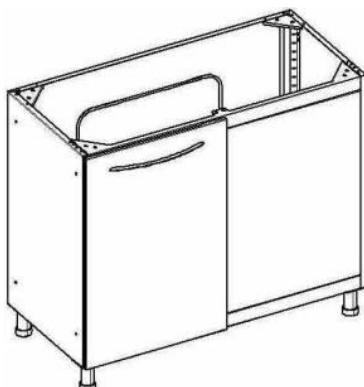
**922,00 €**

Module for sink, left corner

Dimensions (HxLxD): 847×1000×509 mm

Weight: 35,5 kg

Article: Me-MF-wb corner R



**MODULE OF MEDICAL FURNITURE FOR SINK**

**922,00 €**

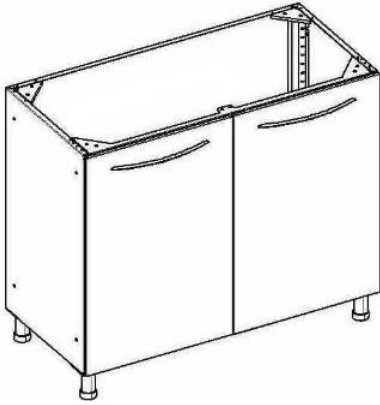
Module for sink, right corner.

Dimensions (HxLxD): 847×1000×509 mm

Weight: 35,5 kg

**MEDICAL FURNITURE: MODULES ON FEET**

Article: Me-MF-2dsRL



MODULE OF MEDICAL FURNITURE WITH DOOR

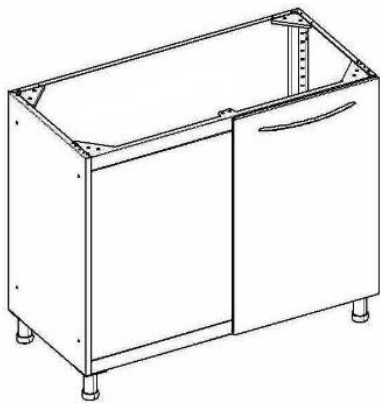
1004,00 €

Medical module with door and helves, right / left door opening.

Dimensions (HxLxD): 847×1000×509 mm

Weight: 46,5 kg

Article: Me-MF-ds corner L



MODULE OF MEDICAL FURNITURE WITH DOOR

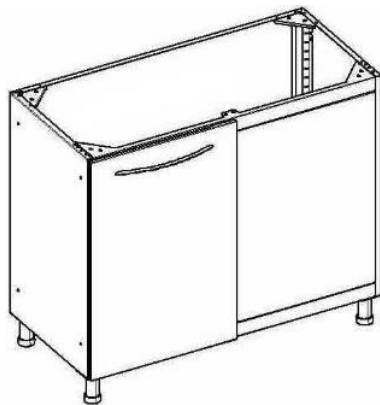
1004,00 €

Medical module with door, left corner

Dimensions (HxLxD): 847×1000×509 mm

Weight: 46,5 kg

Article: Me-MF-ds corner R



MODULE OF MEDICAL FURNITURE WITH DOOR

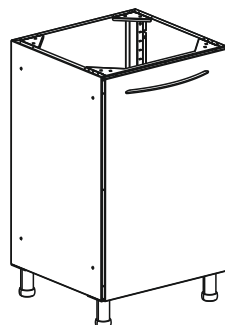
1004,00 €

Medical module with door, right corner

Dimensions (HxLxD): 847×1000×509 mm

Weight: 46,5 kg

Article: ME-MF-dsR  
ME-MF-dsL



MODULE OF MEDICAL FURNITURE WITH DOOR

558,00 €

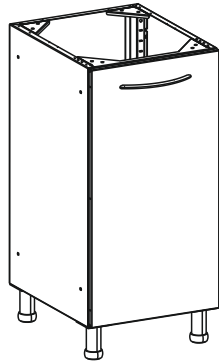
Medical module with door and helves, right / left door opening.

Dimensions (HxLxD): 850×500×480 mm

Weight: 25,6 kg

**MEDICAL FURNITURE: MODULES ON FEET**

Article: ME-MF-dsnR  
ME-MF-dsnL



**MODULE OF MEDICAL FURNITURE WITH DOOR**

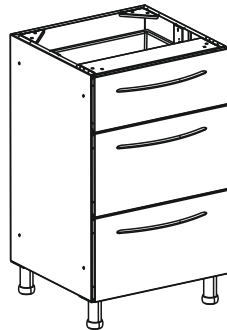
**542,00 €**

Medical module with door and shelves, right / left door opening.

Dimensions (HxLxD): 850×400×480 mm

Weight: 24,5 kg

Article: ME-MF-2l1m



**MODULE OF MEDICAL FURNITURE WITH DRAWERS**

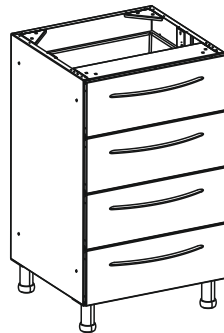
**775,00 €**

Mobile module for 3 drawers (2l1m)

Dimensions (HxLxD): 850×500×480 mm

Weight: 33,5 kg

Article: ME-MF-4m



**MODULE OF MEDICAL FURNITURE WITH DRAWERS**

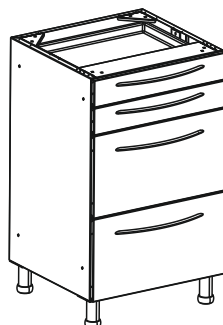
**887,00 €**

Module for 4 drawers (4m)

Dimensions (HxLxD): 850×500×480 mm

Weight: 38,4 kg

Article: ME-MF-2l2s



**MODULE OF MEDICAL FURNITURE WITH DRAWERS**

**871,00 €**

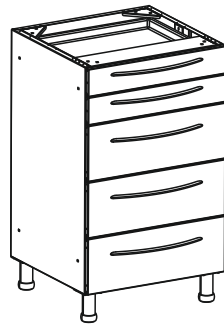
Module for 4 drawers (2l2s)

Dimensions (HxLxD): 850×500×480 mm

Weight: 36,5 kg

**MEDICAL FURNITURE: MODULES ON FEET**

Article: ME-MF-3m2s



MODULE OF MEDICAL FURNITURE WITH DRAWERS

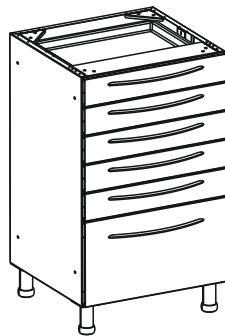
978,00 €

Module for 5 drawers (3m2s)

Dimensions (HxLxD): 850×500×480 mm

Weight: 41,4 kg

Article: ME-MF-1l5s



MODULE OF MEDICAL FURNITURE WITH DRAWERS

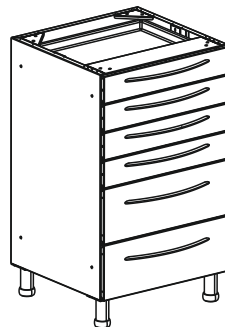
1067,00 €

Module for 6 drawers (1l5s)

Dimensions (HxLxD): 850×500×480 mm

Weight: 43,8 kg

Article: ME-MF-2m4s



MODULE OF MEDICAL FURNITURE WITH DRAWERS

1067,00 €

Module for 6 drawers (2m4s)

Dimensions (HxLxD): 850×500×480 mm

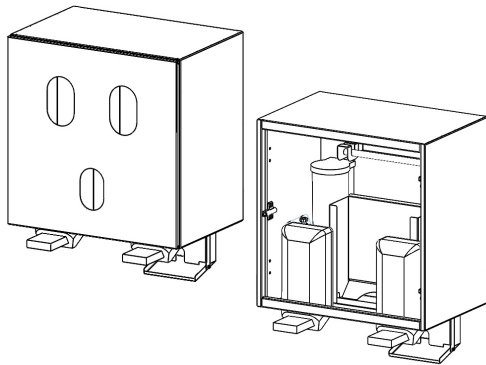
Weight: 44,7 kg

SECTION XI  
**HANGING MODULES**



**MEDICAL FURNITURE: HANGING MODULES**

Article: Me-MWD-R/L



**MODULE OF MEDICAL FURNITURE — DISPENSER**

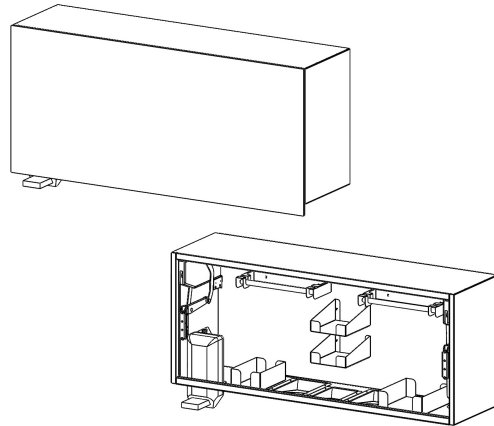
**894,00 €**

Hanging module for disposable materials — dispenser

Dimensions (HxLxD): 640×500×365 mm

Weight: 22,00 kg

Article: Me-MWD big glass



**MODULE OF MEDICAL FURNITURE — DISPENSER**

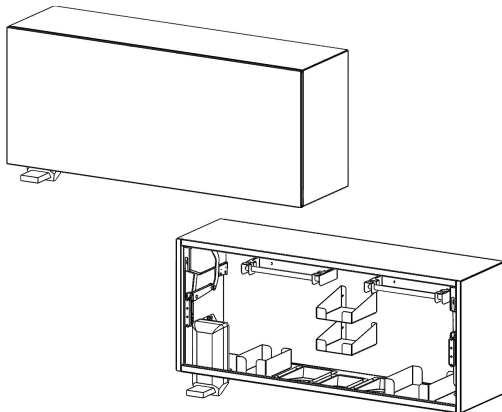
**1032,00 €**

Hanging module with glass doors for disposable materials — dispenser

Dimensions (HxLxD): 589×1204×365 mm

Weight: 40,00 kg

Article: Me-MWD-big



**MODULE OF MEDICAL FURNITURE — DISPENSER**

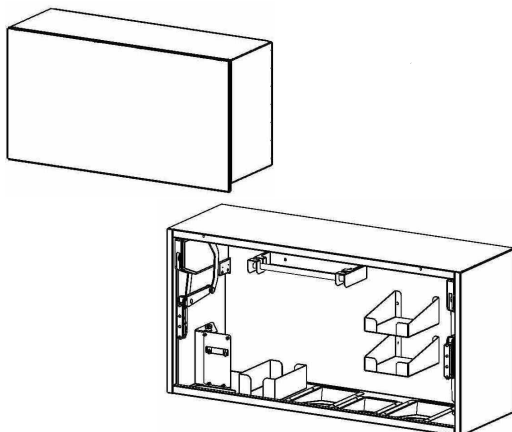
**1032,00 €**

Hanging module for disposable materials — dispenser

Dimensions (HxLxD): 589×1204×365 mm

Weight: 34,50 kg

Артикул: Me-MWD-big 1000



**MODULE OF MEDICAL FURNITURE — DISPENSER**

**929,00 €**

Hanging module for disposable materials — dispenser

Dimensions (HxLxD): 589×1000×365 mm .

Weight: 30,00 kg.

**MEDICAL FURNITURE: HANGING MODULES**

Article: Me-MWD-bm

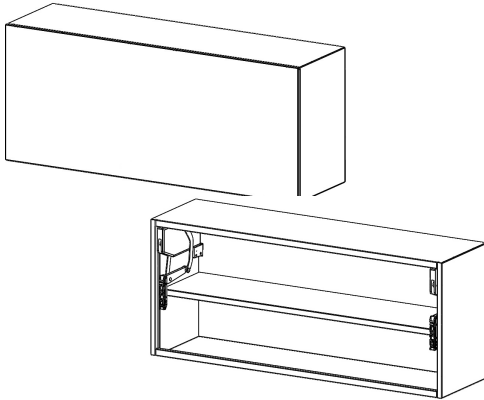
MODULE OF MEDICAL FURNITURE — HINGED CABINET

878,00 €

Hanging module with doors.

Dimensions (HxLxD): 530x1204x336 mm

Weight: 39,00 kg



Article: Me-MWD-bm glass

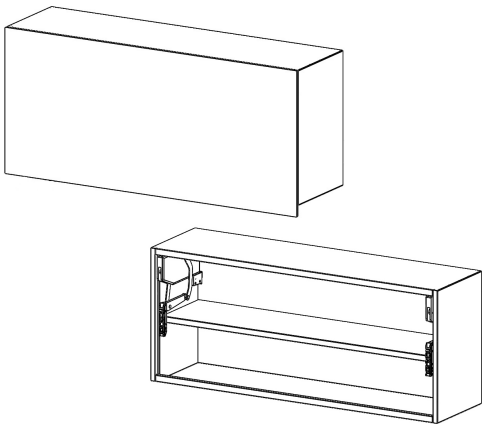
MODULE OF MEDICAL FURNITURE — HINGED CABINET

878,00 €

Hanging module with glass doors.

Dimensions (HxLxD): 540x 1204x331 mm

Weight: 44,50 kg



Article: Me -MWD-bm 1000

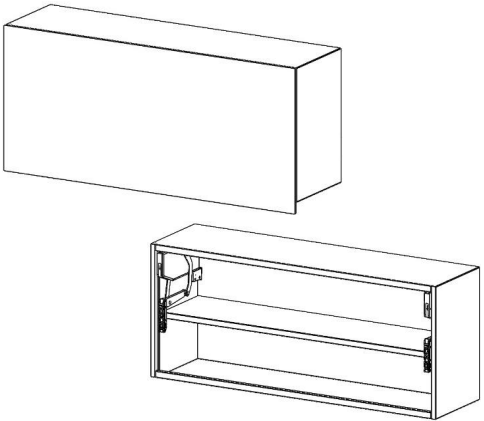
MODULE OF MEDICAL FURNITURE — HINGED CABINET

791,00 €

Hanging module with doors.

Dimensions (HxLxD): 530x 1000x336 mm

Weight: 31,00 kg



Article: Me-MWD-m

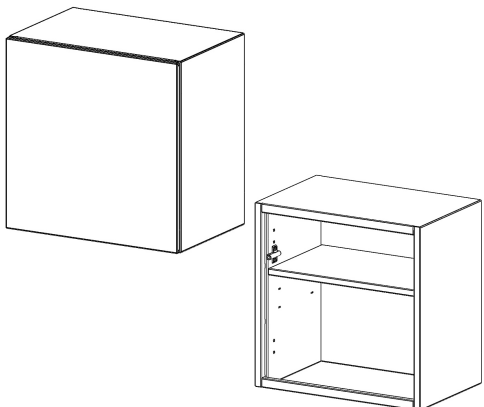
MODULE OF MEDICAL FURNITURE — HINGED CABINET

567,00 €

Hanging module with doors.

Dimensions (HxLxD): 500x500x338 mm

Weight: 18,00 kg



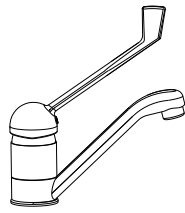
SECTION XII  
**MEDICAL FURNITURE**  
**WORKTOPS, SINKS, MIXERS**



**MEDICAL FURNITURE: WORKTOPS, SINKS, MIXERS**

MIXER FOR SINK

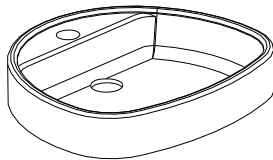
187,00 €



CERAMIC SINK

278,00 €

Color: White



WORKTOP

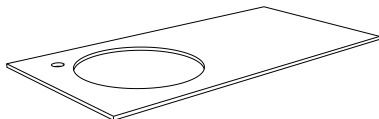
105,00 €\*

Worktop made of laminated wood-chip board (depth 500 mm).

Worktop made of laminated wood-chip board (depth 600 mm).

Available in 10 colours (check the colours with the manager).

\* The cost of worktops is specified for 1 running meter.



**MEDICAL FURNITURE «MERCURY»: TRAYS FOR DRAWERS OF S TYPE**

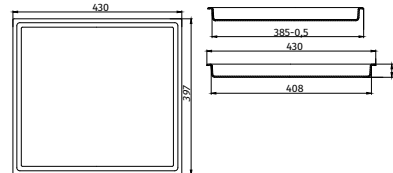
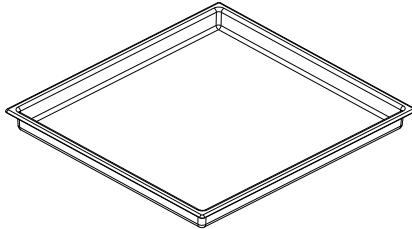
Article: T30-1

TRAY FOR DRAWER

Tray for a drawer for 1 section (s)

42,00 €

Dimensions for references are given in millimeters.



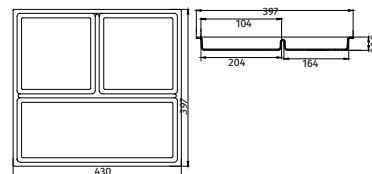
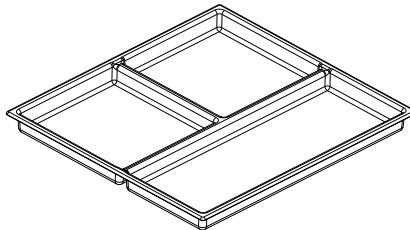
Article: T30-3

TRAY FOR DRAWER

Tray for a drawer for 3 sections (s)

42,00 €

Dimensions for references are given in millimeters.



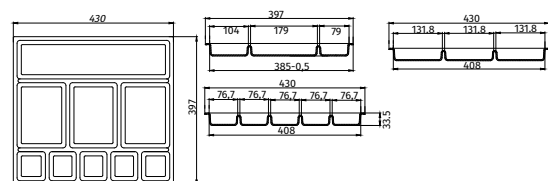
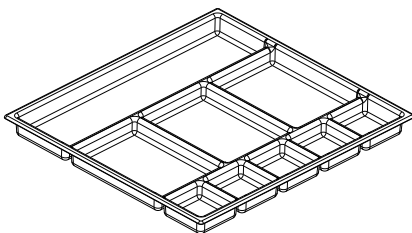
Article: T30-9

TRAY FOR DRAWER

Tray for a drawer for 9 sections (s)

42,00 €

Dimensions for references are given in millimeters.



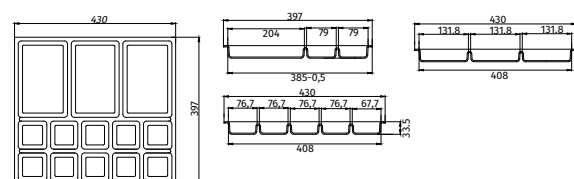
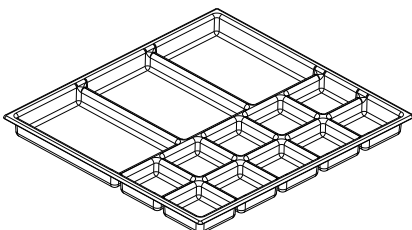
Article: T30-13

TRAY FOR DRAWER

Tray for a drawer for 13 sections (s)

42,00 €

Dimensions for references are given in millimeters.



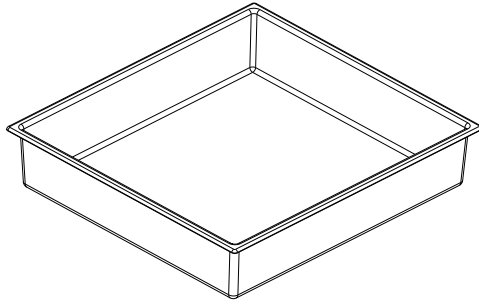
**MEDICAL FURNITURE «MERCURY»: TRAYS FOR DRAWERS of L and M TYPES**

Article: T80-1

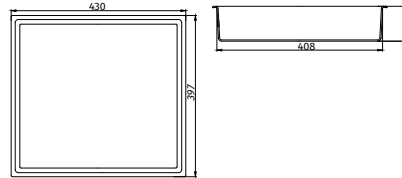
TRAY FOR DRAWER

Tray for a drawer for 1 section (l; m)

42,00 €



Dimensions for references are given in millimeters.

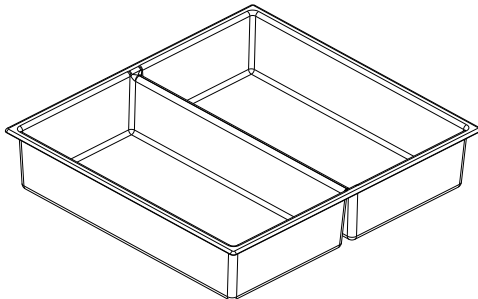


Article: T80-2

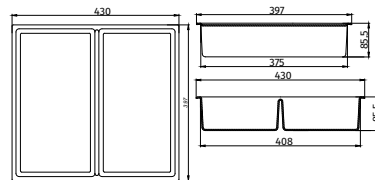
TRAY FOR DRAWER

Tray for a drawer for 2 sections (l; m)

42,00 €



Dimensions for references are given in millimeters.

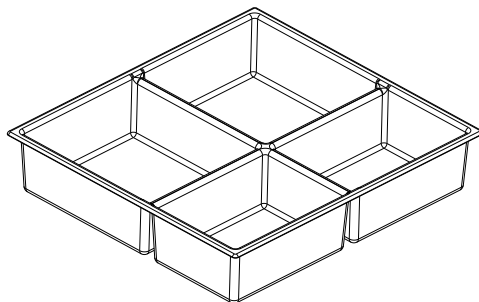


Article: T80-4

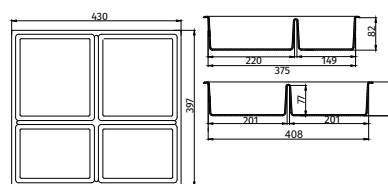
TRAY FOR DRAWER

Tray for a drawer for 4 sections (l; m)

42,00 €



Dimensions for references are given in millimeters.

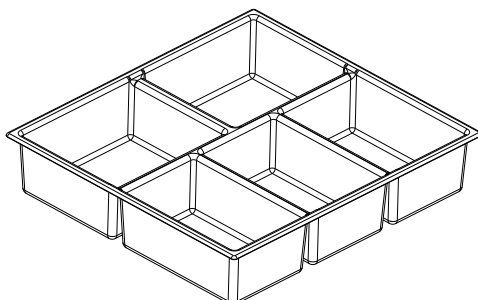


Article: T80-5

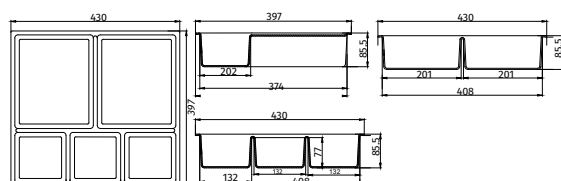
TRAY FOR DRAWER

Tray for a drawer for 5 sections (l; m)

42,00 €



Dimensions for references are given in millimeters.



MEDICAL FURNITURE «MERCURY»: COLLECTION

Colour collection\*

				
RAL: 9005 Colour: jet black	RAL: 5011 Colour: steel blue	RAL: 3003 Colour: ruby red	RAL: 6005 Colour: moss green	RAL: 3005 Colour: wine red
				
RAL: 7021 Colour: black grey	RAL: 5003 Colour: sapphire blue	RAL: 2012 Colour: salmon orange	RAL: 6000 Colour: patina green	RAL: 4003 Colour: heather violet
				
RAL: 7012 Colour: basalt grey	RAL: 5002 Colour: ultramarine blue	RAL: 1017 Colour: saffron yellow	RAL: 6025 Colour: fern green	RAL: 4006 Colour: traffic purple
				
RAL: 9007 Colour: grey aluminium	RAL: 5023 Colour: distant blue	RAL: 3018 Colour: strawberry red	RAL: 6019 Colour: pastel green	RAL: 4001 Colour: red lilac
				
RAL: 7042 Colour: traffic grey A	RAL: 5012 Colour: light blue	RAL: 8017 Colour: chocolate brown	RAL: 6027 Colour: light green	RAL: 9002 Colour: grey white
				
RAL: 7038 Colour: agate grey	RAL: 7031 Colour: blue grey	RAL: 8028 Colour: terra brown	RAL: 1019 Colour: grey beige	

\* The cost of painting for medical modules into the non-standard colour (different as the RAL 9016) is **+10%**.

Attention! Real colour of the product can be different from the sample given in the colour collection palette.

Manufacturer

PC Galit  
6E, 15 Kvitnya Str., Baikivtsi, Ternopil region,  
47711, UKRAINE

+380-800-502-998

office@galit.te.ua  
service@galit.te.ua

European representative

Galdent CZ s.r.o.  
K Vapence 448, 41503 Teplice, Czech Republic

+420-775-471-378

export@galit.te.ua  
galdentcz@gmail.com