



Dental unit

GALLANT AUTONOME





“**Gallant Autonome** – an ideal solution for clinics where it is impossible to lay any needed service lines”

For more than 20 years, our vector at **GALIT** has remained unchanged – to supply the best dental equipment and innovative solutions to professional dentists not only in Ukraine but all over the world.

Our focus on exemplary service forms a loyal long-term relationship with our customers. Thousands dentists have already been convinced of the quality and reliability of our equipment. All this is possible due to careful monitoring of requirements of our customers, as well as the principles that are fundamental to **GALIT**.

In our work we are constantly guided by the following values:

- **quality** – we work to the highest quality standards in everything we produce;
- **trust** – respect, honesty and sincerity guide our actions to do the right thing;
- **care** – our clients inspire us to act faithfully and passionately;
- **innovations** – we optimize the latest technologies to achieve mastery in dentistry;
- **partnership** – we work with professional dentists and our partners to win TOGETHER;
- **commitment** – we work diligently and promptly to ensure exceptional results with the best customer service.

GALIT – Making dentistry happen



GALLANT AUTONOME – JUST PLUG IN THE ELECTRICAL NETWORK AND PLAY!

Autonomous unit with a built-in compressor, aspirator, container for secretions – the ideal solution for clinics where it is impossible to provide service lines. Unit is autonomous and independent – easy to mount and move.

The main advantages of GALLANT AUTONOME:

- Gallant Autonome – a completely independent unit of the supplied air, vacuum, water and sewage networks.
- Massive, stable design for mounting additional equipment. You can easily place a microscope, X-ray, monitor for easy operation.
- Components from leading European manufacturers with warranty service.
- Long arms of the lamp for convenience in carrying out medical procedures.
- Compressor with dehumidifier and stainless steel tank built into the hydraulic unit.
- Suction unit with bactericidal filter is built into the hydraulic unit.
- Container for water, filling the glass and flushing the spittoon, the container for secretions is in the hydraulic unit.
- Unit works with a low noise level, it is comfortable for the doctor and for the patient.
- Bactericidal HEPA filter (H14) protects the air in the dental office from viruses and bacteria, filtering it up to 99.9%.

CHAIR STING

The basic version of the patient's chair includes:

- left swivel, removable armrest;
- right swivel, removable armrest;
- trendelenburg function (synchronous raising of legs by 15° when lowering the chair backrest by 90°);
- three additional programs for the chair;
- replacement of a chair upholstery on Soft Foam;
- special mat to protect the seat from damage.

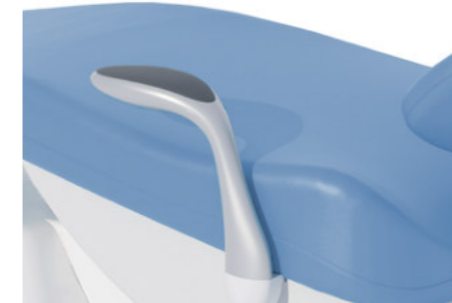


The upholstery, made of flexible polyurethane, covered with artificial leather is completely seamless for easy cleaning and disinfection.

The upholstery Soft Foam patient chair is also available for order.



Upholstery Soft Foam



The patient chair can be equipped with a left and/or right armrest. For more comfortable access of the patient to a chair.



Trendelenburg function (possibility of synchronous raising of legs on 15° at lowering of a chair backrest on 90°). At such positioning of a patient chair of the correct blood circulation during treatment is provided.



Joystick of patient chair control. The high-precision joystick controls the chair in a simple and efficient way without using the hands.



Elle Bianco



Elle E C95 Bianco



Elle E C2002 Bianco



Light Bianco



Uni Bianco

A wide range of colors of artificial leather is the result of a careful analysis of the needs of our most demanding customers.

1007 Graphite black	5011 Steel blue	14966 Pine green	8017 Chocolate
7021 Black grey satin	5003 Sapphire blue	5515 Yellow green	8017 UM33 Mahogany brown
7502 Basalt grey	1009 D Ultramarine blue	68001 Green olive	14766 Wine red
21366 Platinum	5023 Remote blue	5503 Saffron yellow	4003 Burgundy-purple
15141 Blue grey	3491 Blue	7791 Salmon orange	5510 Traffic-purple
1011 Traffic grey A	3493 Turquoise blue	5017 Strawberry-red	3492 Red lilac
3494 Grey silk	5511 Patino green	1414 Ruby red	6001 Grey-beige



Ergonomic design of the chair perfectly repeats contours of the patient's body in different positions

(The image illustrates the patient chair Sting)



More freedom of movement. More comfort

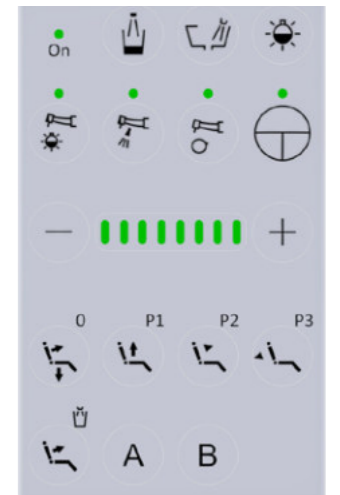
Dentist console of Your Gallant Autome

Equipped with the necessary instruments located in the place where you intuitively expect to find them.

The optimal weight of the instruments and the flexibility of the hoses will ensure comfortable operation during the entire treatment process, as well as, reducing the load on the wrists, minimizes fatigue during long-term treatment.

The dentist's console with the swinging hoses includes:

- individually selected 5 instruments;
- lightweight construction;
- fixation in the right place with a pneumatic brake;
- control panels of instruments and patient chair.



Clear interface. It is easy to control the instruments and the patient's chair.





Effective teamwork with Gallant Autonome

Assistant's console of Your Gallant Autonome:

- provides placement of 4 instruments and independent operation of saliva ejector and vacuum cleaner;
- horizontal movement of the assistant console allows to place the instruments in a convenient position.



4 instruments

Assistant's console for 4 instruments



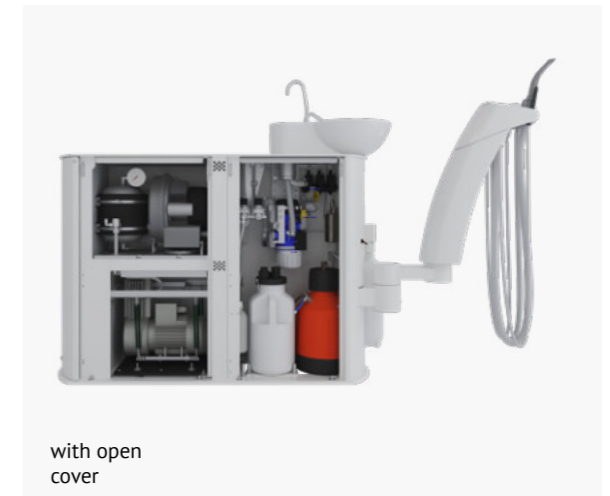


Easy rotation of the cuspidor by 180° provides ergonomic and convenient access to the assistant and optimal comfort for the patient.

A trusted hygiene system

Cuspidor unit GALLANT AUTONOME – an easy access, fast and safe service for medical staff and service personnel.

The cuspidor unit with a smooth surface is easy to disinfect, and for maintenance it is enough to remove only one cover on clamps.



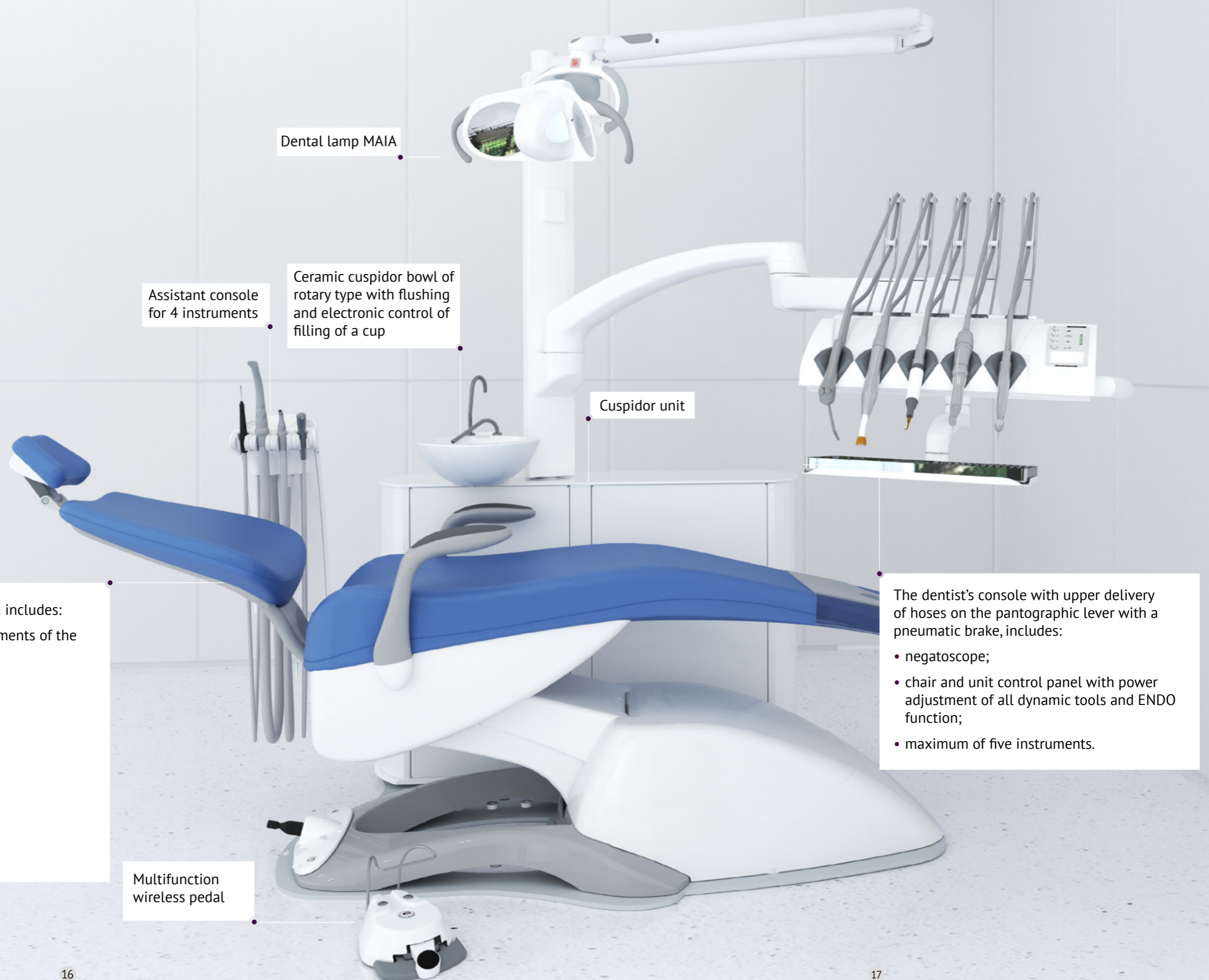
Ceramic cuspidor – resistant to disinfection

Provides ergonomic and comfortable access to the assistant and optimal comfort for the patient.

Equipped with flushing and electronically controlled cup filling.



Just plug in the electrical network and play!



Dental lamp MAIA

Assistant console for 4 instruments

Ceramic cuspidor bowl of rotary type with flushing and electronic control of filling of a cup

Cuspidor unit

The basic version of the patient chair Sting includes:

- fully electromechanical lifting and movements of the backrest;
- program for resetting to "0" position;
- program for the position of spitting;
- double foot control based on the chair;
- emergency stop on the base;
- emergency stop on the backrest;
- headrest with double articulation UNI;
- wide back of the chair;
- three additional programs for the chair.

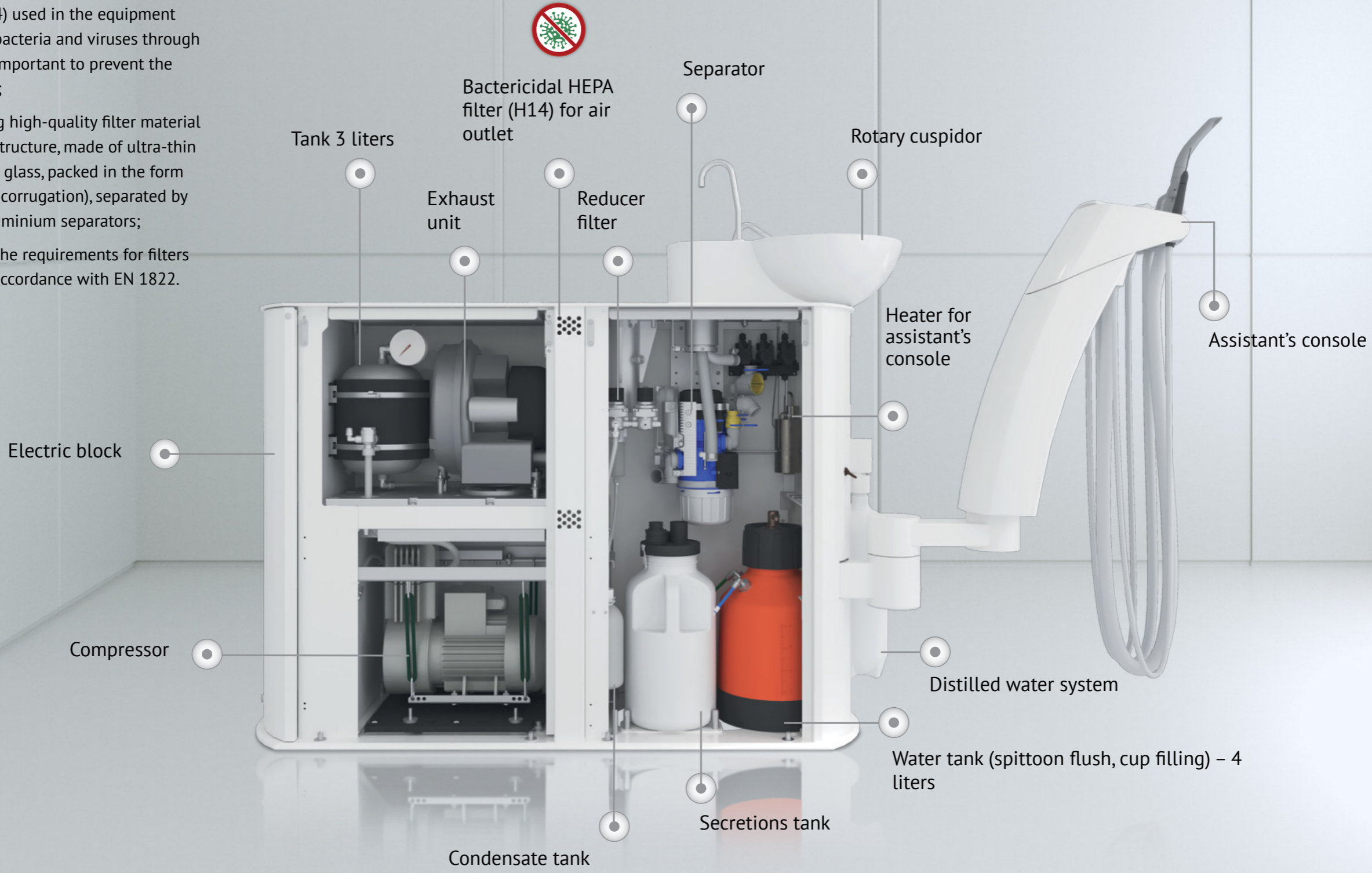
Multifunction wireless pedal

The dentist's console with upper delivery of hoses on the pantographic lever with a pneumatic brake, includes:

- negatoscope;
- chair and unit control panel with power adjustment of all dynamic tools and ENDO function;
- maximum of five instruments.

Gallant Autonome – Just plug in the electrical network and play!

- The HEPA filters (H14) can filter microscopic particles several microns in size;
- The HEPA filter (H14) used in the equipment prevents spread of bacteria and viruses through the air, so it is very important to prevent the spread of infections;
- They are made using high-quality filter material with a progressive structure, made of ultra-thin and micro-thin fibre glass, packed in the form of small folds (mini-corrugation), separated by thermoplastic or aluminium separators;
- They fully meet all the requirements for filters of these classes in accordance with EN 1822.



Options

GALLANT AUTONOME (PRO) dental unit
Stationary cuspidor unit, including:
<ul style="list-style-type: none"> • Cuspidor ceramic bowl of rotary type with rinsing and cup filling electronic control
<ul style="list-style-type: none"> • Distilled water system, 2 L.
<ul style="list-style-type: none"> • Compressor DK50 with stainless steel tank of 3 L. capacity, condensate separator with filter and automatic condensate drain built in cuspidor unit
<ul style="list-style-type: none"> • Suction aggregate with bactericidal filter built in cuspidor unit
<ul style="list-style-type: none"> • Container for water (6 l) for bowl rinsing and cup filling
<ul style="list-style-type: none"> • Container (5 l) for secretions
Dentist console type:
Modern design dentist console with upper /lower delivery of hoses, including:
<ul style="list-style-type: none"> • Electronic regulation of spray
<ul style="list-style-type: none"> • Rotary arm with pneumatic brake
<ul style="list-style-type: none"> • Control panel to control chair and unit operation, with adjustment of all dynamic instruments power
<ul style="list-style-type: none"> • Two hands for adjustment dentist console position
Dentist console instruments:
<ul style="list-style-type: none"> • Pneumatic line without lighting
<ul style="list-style-type: none"> • Pneumatic line with lighting
<ul style="list-style-type: none"> • OPTIMA MX2 int (40 programs) micromotor
<ul style="list-style-type: none"> • Second OPTIMA MX2 micromotor
<ul style="list-style-type: none"> • MX2 LED micromotor
<ul style="list-style-type: none"> • Second MX2 LED micromotor
<ul style="list-style-type: none"> • MCX LED (1000-40.000 rpm) micromotor
<ul style="list-style-type: none"> • Second MCX LED (1000-40.000 rpm) micromotor
<ul style="list-style-type: none"> • Xinetic scaler without light with 3 tips
<ul style="list-style-type: none"> • FS-433 E-1 Piezon built-in kit (EMS)
<ul style="list-style-type: none"> • FS-367 Kit Piezon LED No Pain (EMS)
<ul style="list-style-type: none"> • Newtron F55235 Scaler with LED with 3 tips
<ul style="list-style-type: none"> • Mini LED curing lamp for incorporation
<ul style="list-style-type: none"> • MINIMATE 3 way syringe
<ul style="list-style-type: none"> • MC3FP (MYTRONIC) 3 way syringe
<ul style="list-style-type: none"> • DCI 3 way syringe
Additional options for dentist console:
<ul style="list-style-type: none"> • Big table with silicone mat
<ul style="list-style-type: none"> • Heater for water for dental instruments
<ul style="list-style-type: none"> • Flushing function for hoses of doctor instruments and electronic spray adjustment function
Foot control:
<ul style="list-style-type: none"> • Pneumatic foot control
<ul style="list-style-type: none"> • Multifunctional foot control FARO
<ul style="list-style-type: none"> • Multifunctional foot control FARO wireless
Separation system options:
<ul style="list-style-type: none"> • CAS1 separator Dürr Dental
<ul style="list-style-type: none"> • Cuspidor valve Dürr Dental

Patient chair type
ECO NEXT patient chair (Tecnodent), including:
<ul style="list-style-type: none"> • completely electromechanical lifting and movements of backrest • program to reset to "0" position • foot control on chair base • safety stop on base • safety stop on backrest • wide backrest of chair • UNI headrest
ECO NEXT patient chair options:
<ul style="list-style-type: none"> • Left rotary detachable armrest
<ul style="list-style-type: none"> • Right rotary detachable armrest
<ul style="list-style-type: none"> • Magnetic pillow for flat headrest
<ul style="list-style-type: none"> • Trendelenburg Function (simultaneous lifting of legs by 15 degrees while lowering chair backrest by 90 degrees)
<ul style="list-style-type: none"> • Replacing the armchair upholstery on SOFT FORM
<ul style="list-style-type: none"> • Additional three programs for chair
<ul style="list-style-type: none"> • Seat matt
<ul style="list-style-type: none"> • Narrow backrest of chair (only for ECO NEXT)
STING patient chair (Tecnodent), including:
<ul style="list-style-type: none"> • completely electromechanical lifting and backrest movements • program to reset to "0" position • foot control on chair base • safety stop on base • safety stop on backrest • UNI headrest • wide backrest of chair
STING patient chair options:
<ul style="list-style-type: none"> • Left rotary detachable armrest
<ul style="list-style-type: none"> • Right rotary detachable armrest
<ul style="list-style-type: none"> • Trendelenburg Function (simultaneous lifting of legs by 15 degrees while lowering chair backrest by 90 degrees)
<ul style="list-style-type: none"> • Replacing the armchair upholstery on SOFT FORM
<ul style="list-style-type: none"> • Additional three programs for chair
<ul style="list-style-type: none"> • Seat matt
2009NEXT patient chair (Tecnodent), including:
<ul style="list-style-type: none"> • dental chair equipped with completely electromechanical lifting and backrest tilt, securities on base, pantograph and backrest, motor cover with integrated compact utility-box, low voltage (5V) joystick controls, footrest plastic protection, complete packing • standard Ral color painting 9003 • large backrest type «a cucchiaio • multi-articul, headrest type «UNI TAPPEZZATO».
2009NEXT patient chair options:
<ul style="list-style-type: none"> • Left rotary detachable armrest
<ul style="list-style-type: none"> • Right rotary detachable armrest
<ul style="list-style-type: none"> • Magnetic pillow for flat headrest
<ul style="list-style-type: none"> • Replacing the armchair upholstery on SOFT FORM
<ul style="list-style-type: none"> • Additional three programs for chair
<ul style="list-style-type: none"> • Seat matt

LINDA NEXT patient chair (Tecnodent), including:
<ul style="list-style-type: none"> • power supply 230V • standard Ral 9003 • seamless moulded upholstery • joystick control • synchronized legrest movement; anti-crushing securities • automatic extensible PU foot section 3 motors - 5 presetted programs + 9 programmable positions • UNI headrest
LINDA NEXT patient chair options:
<ul style="list-style-type: none"> • Left rotary detachable armrest
<ul style="list-style-type: none"> • Right rotary detachable armrest
<ul style="list-style-type: none"> • Magnetic pillow for flat headrest
<ul style="list-style-type: none"> • Replacing the armchair upholstery on SOFT FORM
<ul style="list-style-type: none"> • Seat matt
Assistant console options:
<ul style="list-style-type: none"> • assistant console DÜRR DENTAL with control panel, big and small suction hoses
Assistant console instruments:
<ul style="list-style-type: none"> • DCI 3 way syringe
<ul style="list-style-type: none"> • MINIMATE 3 way syringe
<ul style="list-style-type: none"> • Mini LED curing lamp for incorporation
Dental light options:
<ul style="list-style-type: none"> • FARO MAIA dental LED light
<ul style="list-style-type: none"> • FARO ALYA dental LED light
<ul style="list-style-type: none"> • FARO EVA dental LED light
Options for cuspidor unit:
<ul style="list-style-type: none"> • Monitor attachment rotary arm
<ul style="list-style-type: none"> • Napkin holder
<ul style="list-style-type: none"> • Water heater for cuspidor cup filler
<ul style="list-style-type: none"> • On-floor plate for attachment of dental unit and chair
<ul style="list-style-type: none"> • Exclude cuspidor bowl
For safety and comfort:
<ul style="list-style-type: none"> • Central valve of air shutdown
<ul style="list-style-type: none"> • Central valve of water shutdown
<ul style="list-style-type: none"> • Soda separator GF 1 for CS 1 DÜRR DENTAL
<ul style="list-style-type: none"> • Device for flushing Vario DÜRR DENTAL



Dental light

MAIA LED



Special 3D rotation system

EVA LED



ALYA LED



Light temperature	5 000 K	5 000 K	5 000 K
Luminous flux	from 3 000 to 35 000 LUX	from 3 000 to 50 000 LUX	from 3 000 to 50 000 LUX
Shadowless effect	9*6 mm ellipse	10*6 mm ellipse	6*3 mm ellipse

Dental lamps FARO:

- optimally illuminated work surface;
- patented optical system FARO;
- removable handles for sterilization;
- new electronic equipment of FARO lamps ensures compatibility with video recording systems and diagnostic tools.

Foot control



Multifunction pedal:

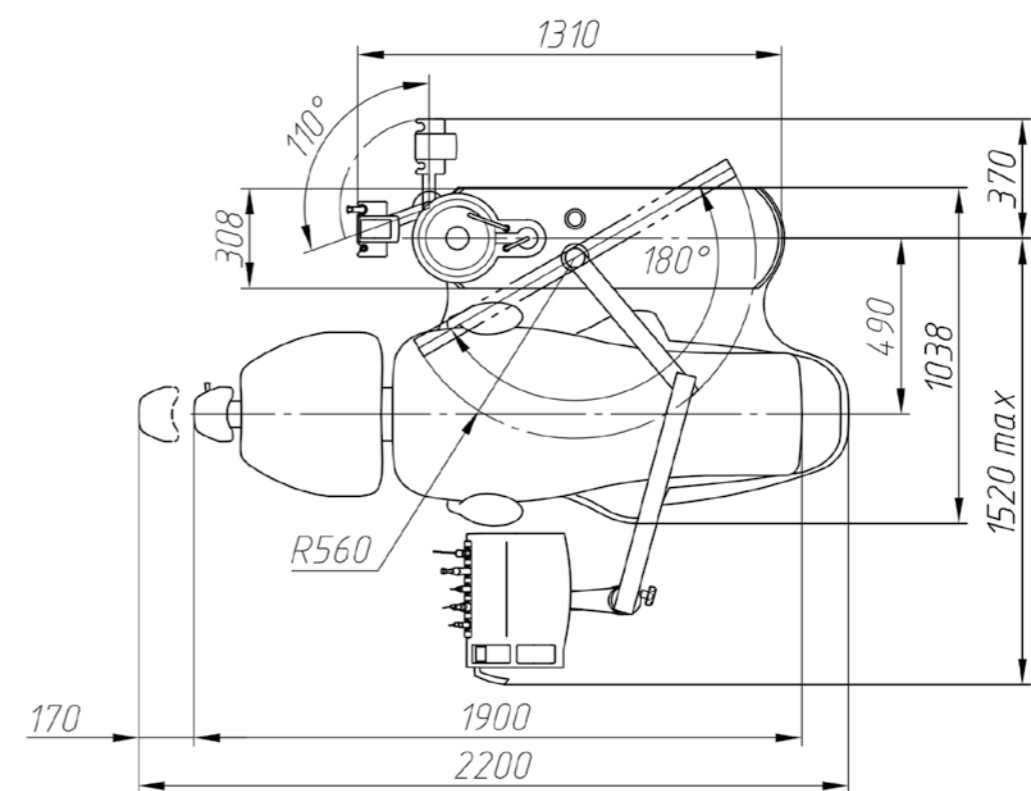
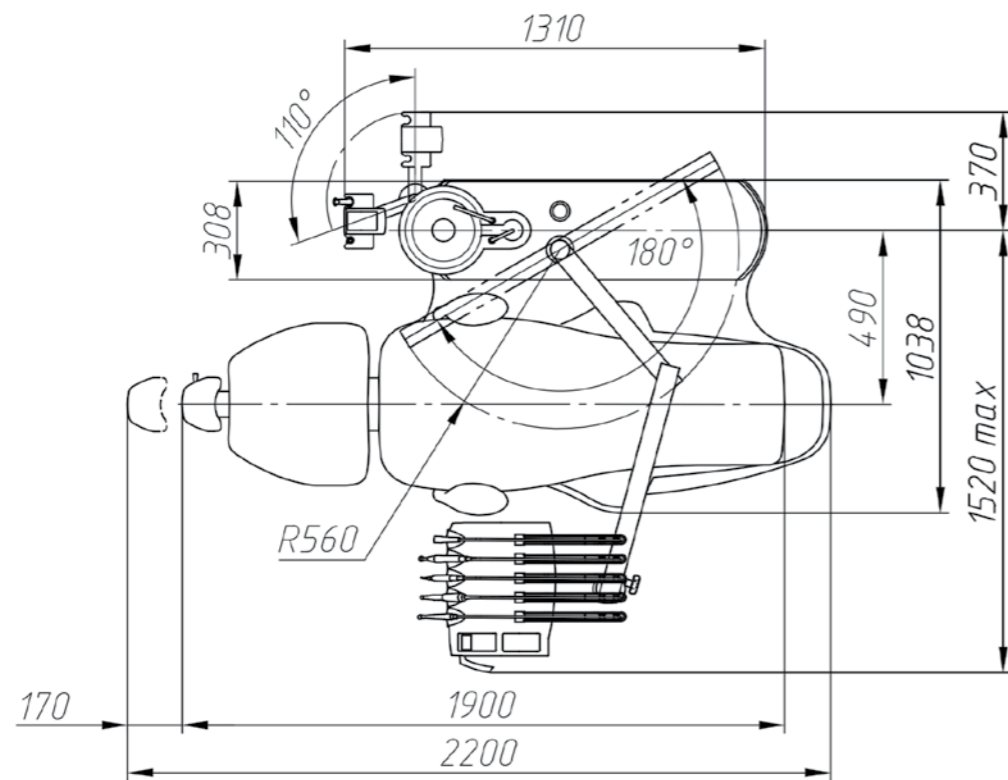
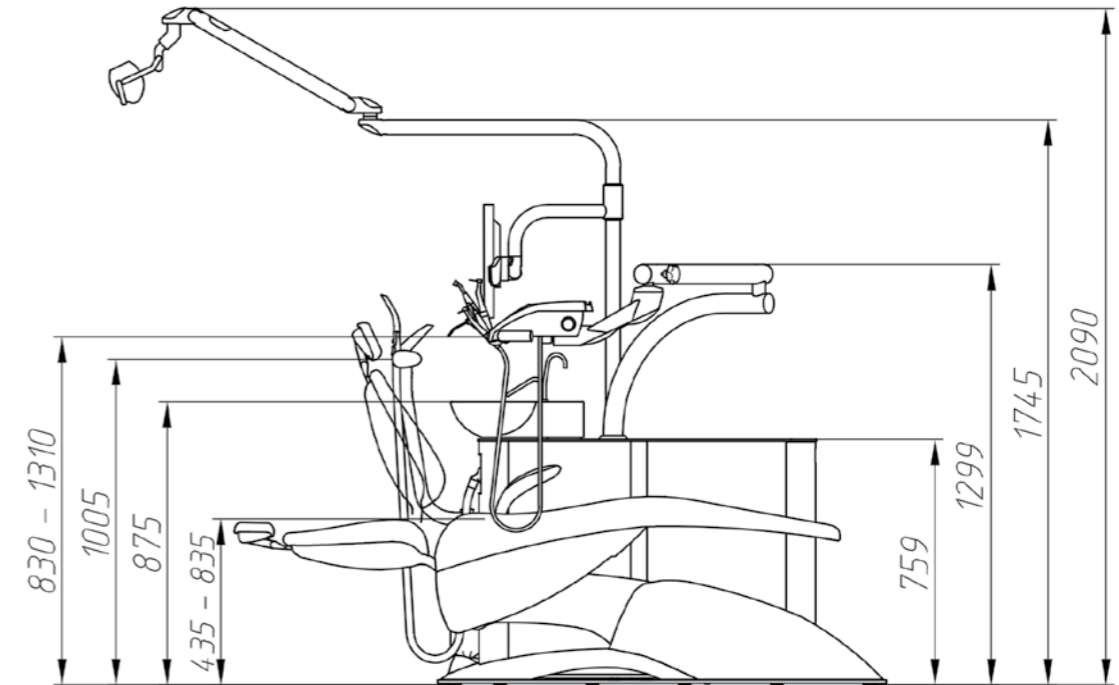
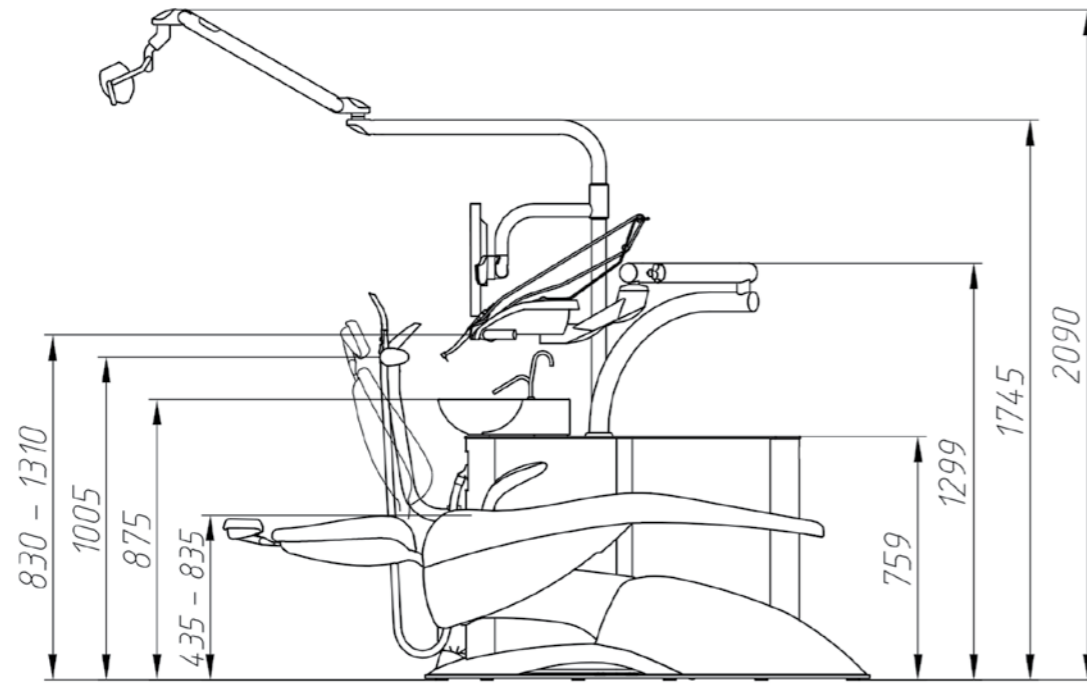
- switching on/off of dental instruments;
- switching on/off of spray and clining for dental instruments;
- speed/power adjustment of dental instruments.



Wireless multifunction pedal:

- switching on/off of dental instruments
- switching on/off of spray and clining for dental instruments;
- speed/power adjustment of dental instruments.

Overall Dimensions Of GALLANT Autome Dental Unit



Overall dimensions of the dental unit GALLANT AUTOMONE with upper delivery of hoses and the patient chair STING.

Overall dimensions of the dental unit GALLANT AUTOMONE with lower delivery of hoses and the patient chair STING.



Dental unit Autonomie Mini

- Fully autonomous unit with built-in oil-free compressor and membrane dehumidifier, without aspiration system.
- Meets the highest safety and hygiene requirements according to European standards.
- Dry, clean air from a compressor with a filtration of 0.1 μm without bacteria, viruses, fungi complies with European safety directives.



GALLANT CART-5 AUTONOME

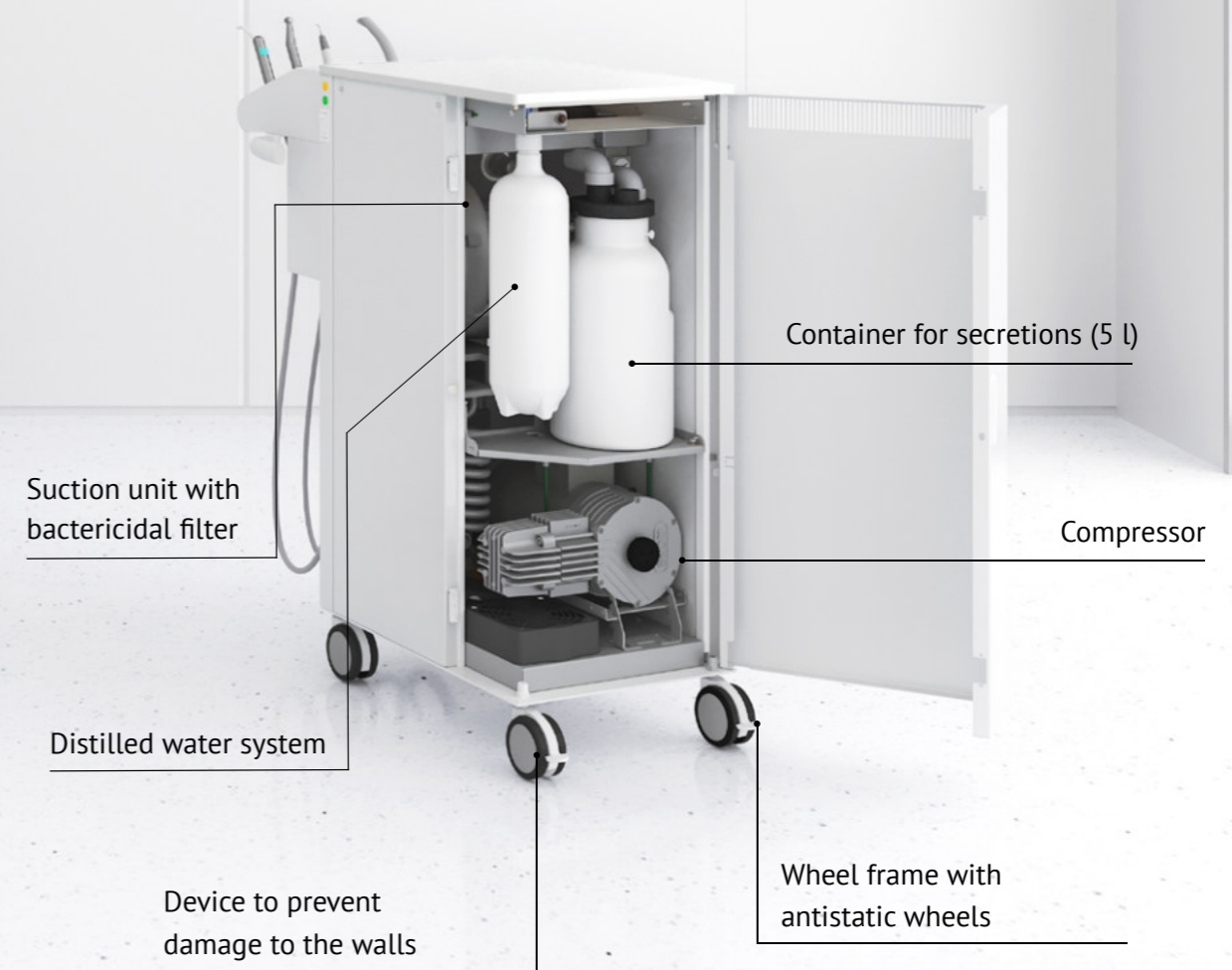
Mobile unit on a wheel frame with antistatic wheels, braking devices and protection against damage to the walls.

Soundproof cabinet on wheels with built-in:

- DK 50 compressor with a stainless steel tank of 3 liters and a condensate separator with automatic condensate drain;
- suction system, including dust and saliva suction, suction unit with bactericidal filter and 5-liter container for secretions.

The doctor's unit with hanging hoses (maximum 5 instruments), includes:

- 3-way syringe DCI;
- one turbine pneumatic outlet (silicone hose);
- wheel frame with antistatic wheels and devices to prevent damage to the walls;
- distilled water system with a capacity of 2 liters;
- unit control panel with power adjustment of all dynamic instruments;
- pneumatic foot control.



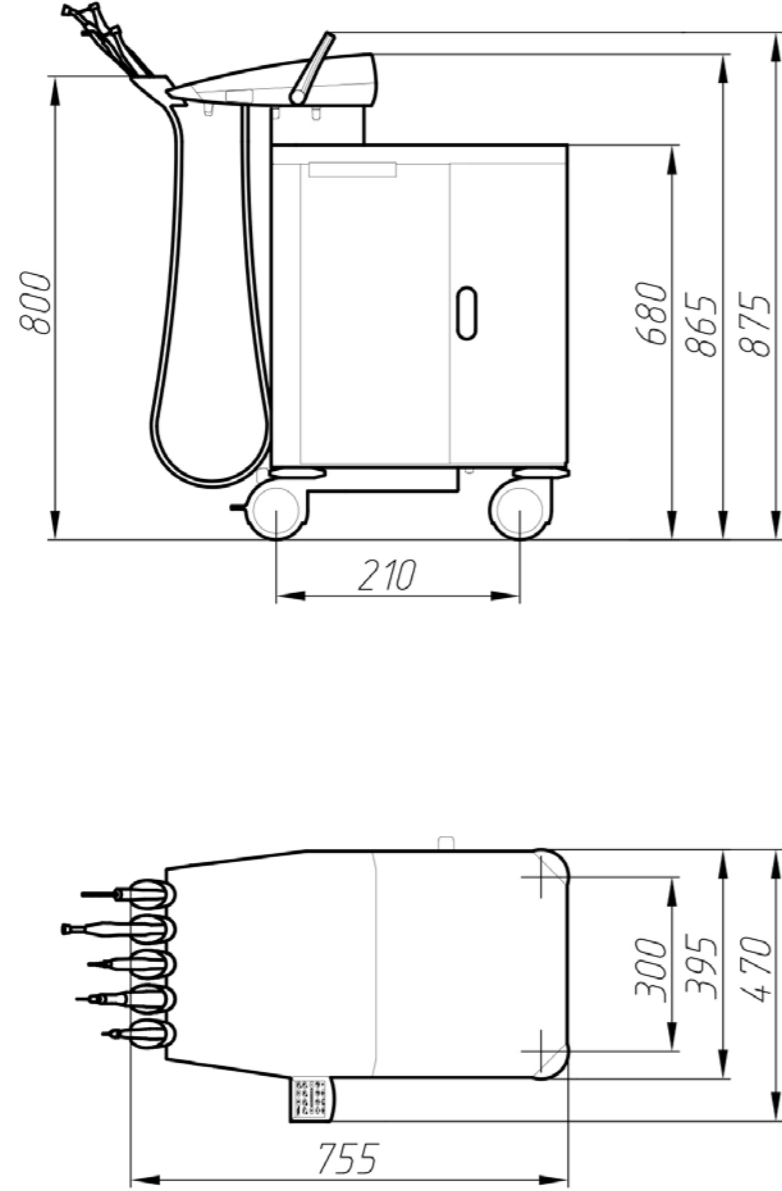
Mobile saliva ejectors Mobi Suc Easy & Mobi Suc Combi

Mobi Suc Easy & Mobi Suc Combi are designed to remove liquids or air from the patient's mouth during medical procedures.

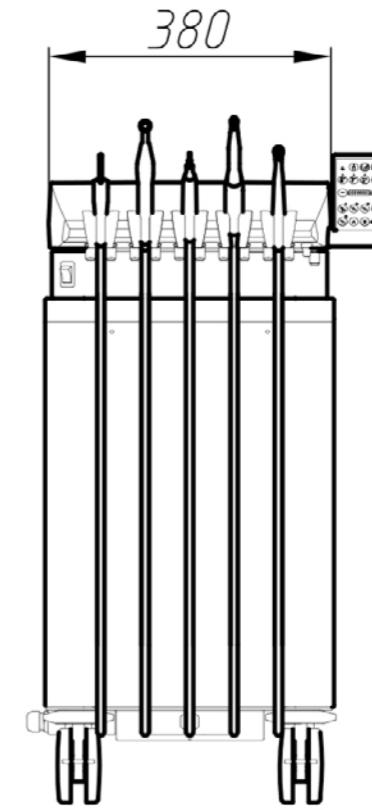
Main advantages:

- compact size of modules;
- mobility: due to the presence of a wheel frame, the saliva ejector is easy to move within the dental office;
- reduced noise level during operation;
- excellent suction power is achieved in just a few seconds;
- maximum suction flow 1 100 l/min;
- special antistatic wheels with a brake for fixing;
- devices are completely autonomous – just turn on and work;
- bactericidal HEPA filter (H14) protects against air viruses and bacteria in the dental office, filtering it up to 99.9%;
- The HEPA filters (H14) can filter microscopic particles several microns in size;
- The HEPA filter (H14) used in the equipment prevents spread of bacteria and viruses through the air, so it is very important to prevent the spread of infections;
- They are made using high-quality filter material with a progressive structure, made of ultra-thin and micro-thin fibre glass, packed in the form of small folds (mini-corrugation), separated by thermoplastic or aluminium separators;
- They fully meet all the requirements for filters of these classes in accordance with EN 1822.

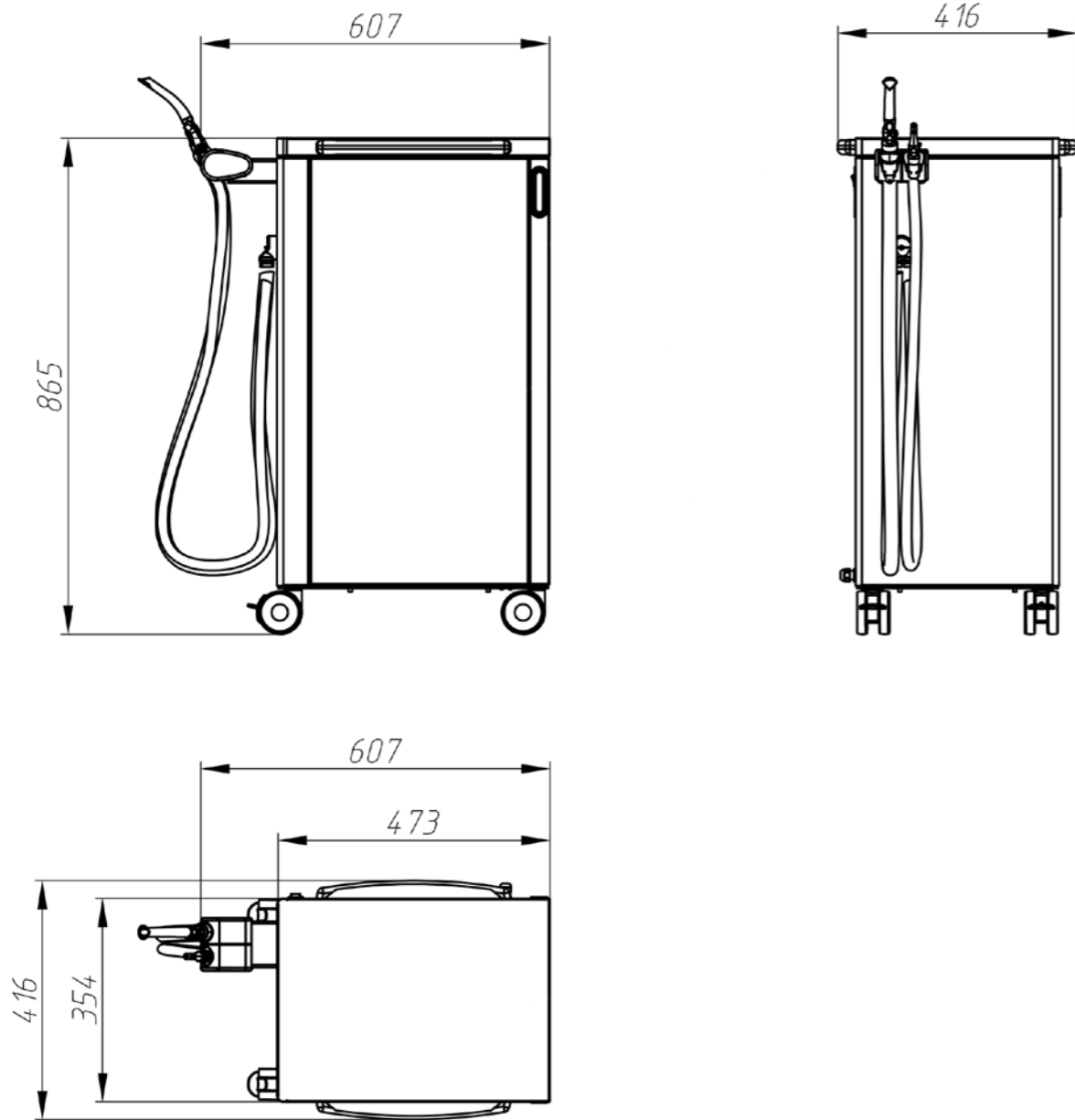
Dental unit GALLANT CART AUTONOME



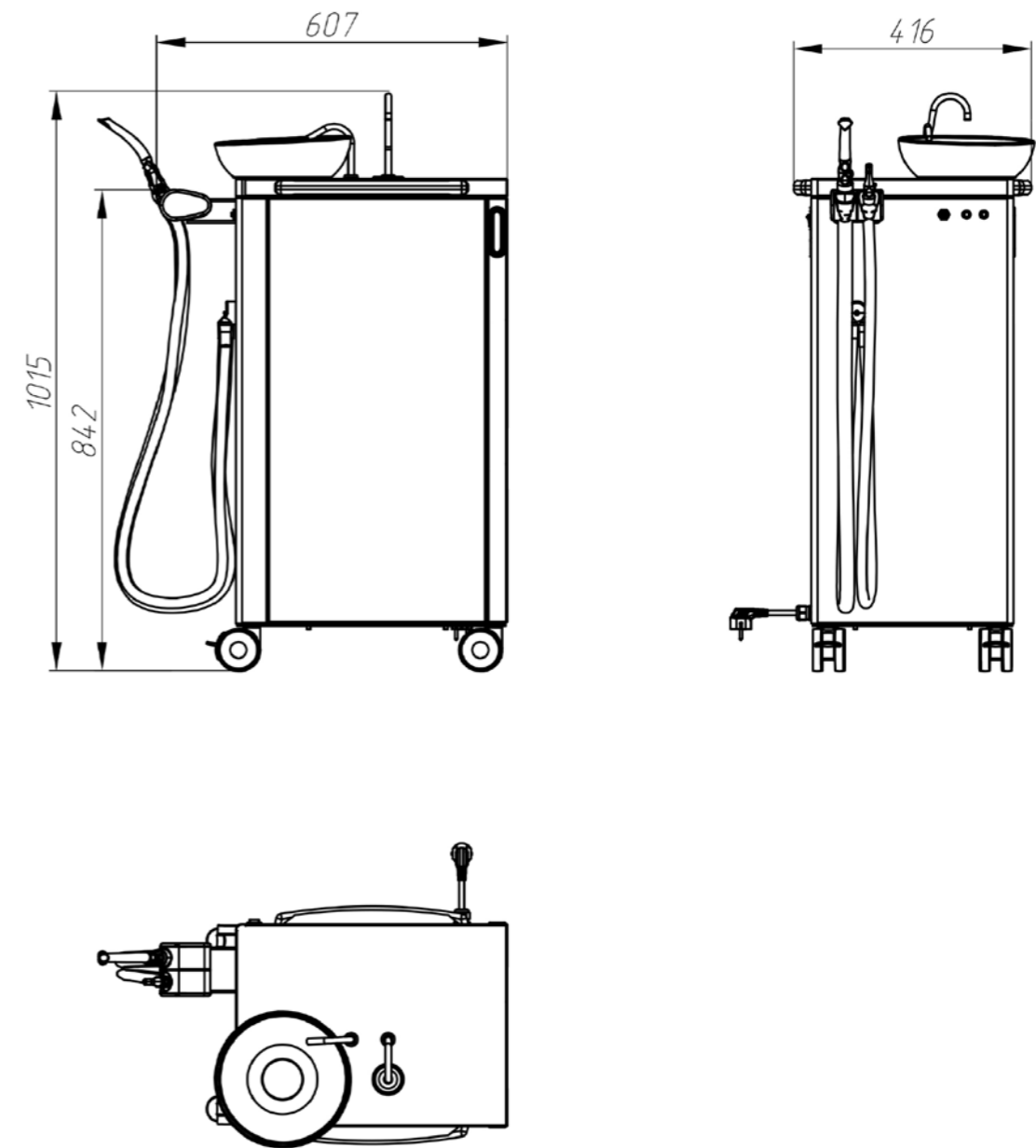
Dental unit GALLANT CART AUTONOME



Mobile suction unit MOBI SUC EASY



Mobile suction unit MOBI SUC COMBI



GALIT

Manufacturer

PC «Galit»
6E, 15 Kvitnya Str., v. Baikivtsi, Ternopil region,
47711, UKRAINE

+380-800-502-998

office@galit.te.ua
service@galit.te.ua

European representer

Galdent CZ s.r.o.
K.Vapence 448, 41503 Teplice, Czech Republic

+420-775-471-378

export@galit.te.ua
galdentcz@gmail.com

CE 2797

Technical specification or appearance of the equipment is subject to change without prior approval.
Version: 01.01.2023