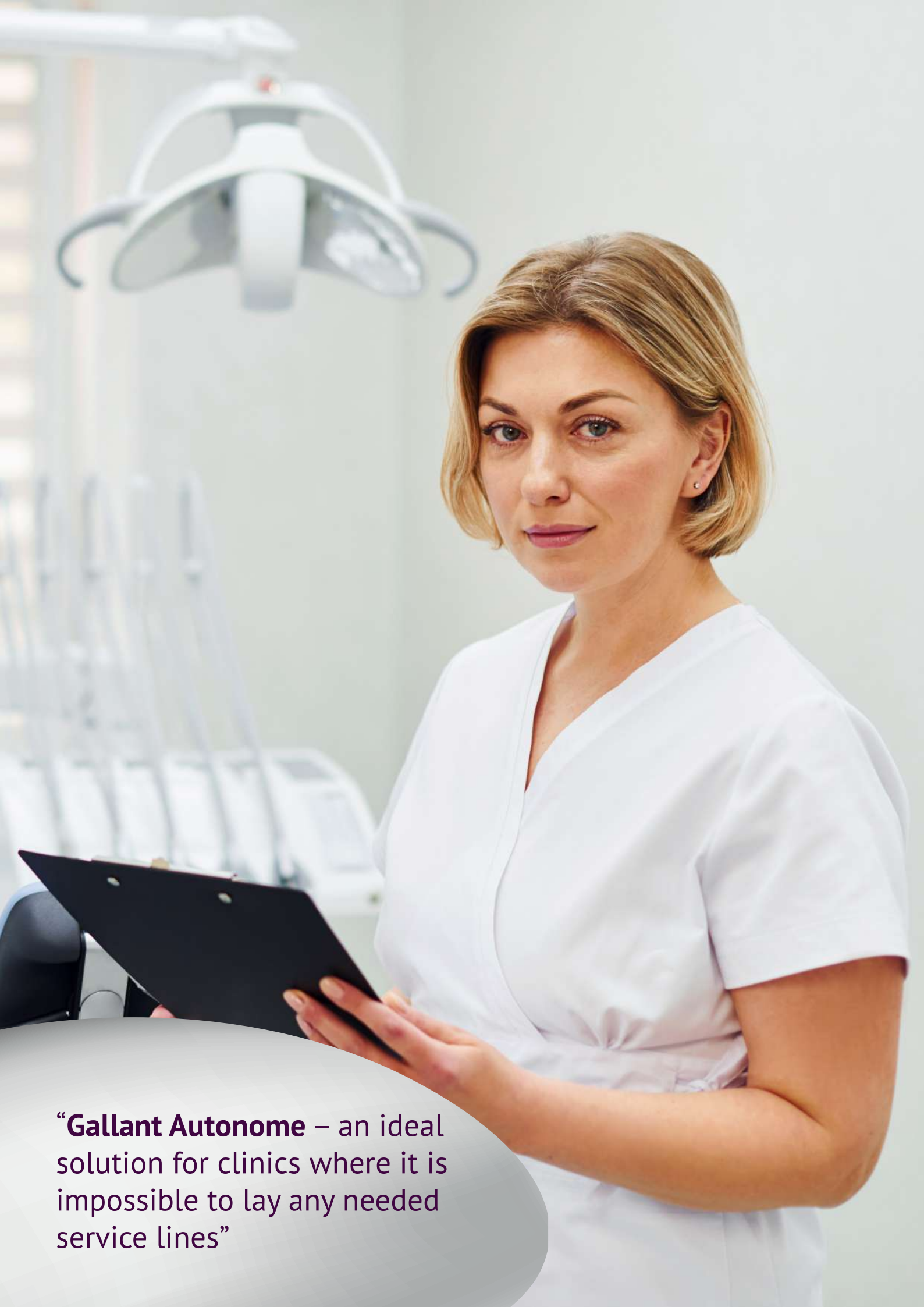




Dental unit

GALLANT AUTONOME





“Gallant Autonome – an ideal solution for clinics where it is impossible to lay any needed service lines”

For more than 20 years, our vector at **GALIT** has remained unchanged – to supply the best dental equipment and innovative solutions to professional dentists not only in Ukraine but all over the world.

Our focus on exemplary service forms a loyal long-term relationship with our customers. Thousands dentists have already been convinced of the quality and reliability of our equipment. All this is possible due to careful monitoring of requirements of our customers, as well as the principles that are fundamental to **GALIT**.

In our work we are constantly guided by the following values:

- **quality** – we work to the highest quality standards in everything we produce;
- **trust** – respect, honesty and sincerity guide our actions to do the right thing;
- **care** – our clients inspire us to act faithfully and passionately;
- **innovations** – we optimize the latest technologies to achieve mastery in dentistry;
- **partnership** – we work with professional dentists and our partners to win TOGETHER;
- **commitment** – we work diligently and promptly to ensure exceptional results with the best customer service.

GALIT – Making dentistry happen



GALLANT AUTONOME – JUST PLUG IN THE ELECTRICAL NETWORK AND PLAY!

Autonomous unit with a built-in compressor, aspirator, container for secretions – the ideal solution for clinics where it is impossible to provide service lines. Unit is autonomous and independent – easy to mount and move.

The main advantages of GALLANT AUTONOME:

- Gallant Autonome – a completely independent unit of the supplied air, vacuum, water and sewage networks.
- Massive, stable design for mounting additional equipment. You can easily place a microscope, X-ray, monitor for easy operation.
- Components from leading European manufacturers with warranty service.
- Long arms of the lamp for convenience in carrying out medical procedures.
- Compressor with dehumidifier and stainless steel tank built into the hydraulic unit.
- Suction unit with bactericidal filter is built into the hydraulic unit.
- Container for water, filling the glass and flushing the spittoon, the container for secretions is in the hydraulic unit.
- Unit works with a low noise level, it is comfortable for the doctor and for the patient.
- Bactericidal HEPA filter (H14) protects the air in the dental office from viruses and bacteria, filtering it up to 99.9%.

CHAIR STING

The basic version of the patient's chair includes:

- left swivel, removable armrest;
- right swivel, removable armrest;
- trendelenburg function (synchronous raising of legs by 15° when lowering the chair backrest by 90°);
- three additional programs for the chair;
- replacement of a chair upholstery on Soft Foam;
- special mat to protect the seat from damage.



The upholstery, made of flexible polyurethane, covered with artificial leather is completely seamless for easy cleaning and disinfection.

The upholstery Soft Foam patient chair is also available for order.



Upholstery Soft Foam



The patient chair can be equipped with a left and/or right armrest. For more comfortable access of the patient to a chair.



Trendelenburg function (possibility of synchronous raising of legs on 15° at lowering of a chair backrest on 90°). At such positioning of a patient chair of the correct blood circulation during treatment is provided.



Joystick of patient chair control. The high-precision joystick controls the chair in a simple and efficient way without using the hands.



Elle Bianco



Elle E C95 Bianco



Elle E C2002 Bianco



Light Bianco



Uni Bianco

A wide range of colors of artificial leather is the result of a careful analysis of the needs of our most demanding customers.



1007 Graphite black



5011 Steel blue



14966 Pine green



8017 Chocolate



7021 Black grey satin



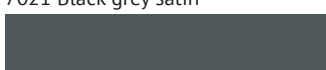
5003 Sapphire blue



5515 Yellow green



8017 UM33 Mahogany brown



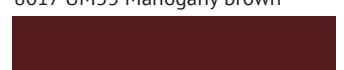
7502 Basalt grey



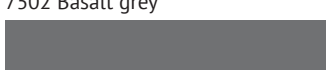
1009 D Ultramarine blue



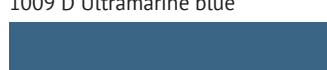
68001 Green olive



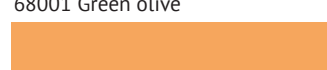
14766 Wine red



21366 Platinum



5023 Remote blue



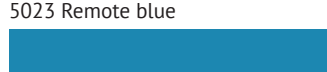
5503 Saffron yellow



4003 Burgundy-purple



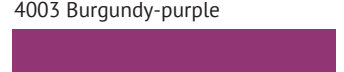
15141 Blue grey



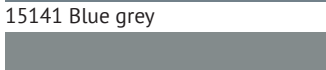
3491 Blue



7791 Salmon orange



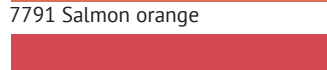
5510 Traffic-purple



1011 Traffic grey A



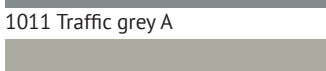
3493 Turquoise blue



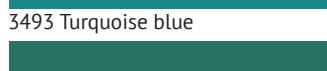
5017 Strawberry-red



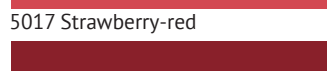
3492 Red lilac



3494 Grey silk



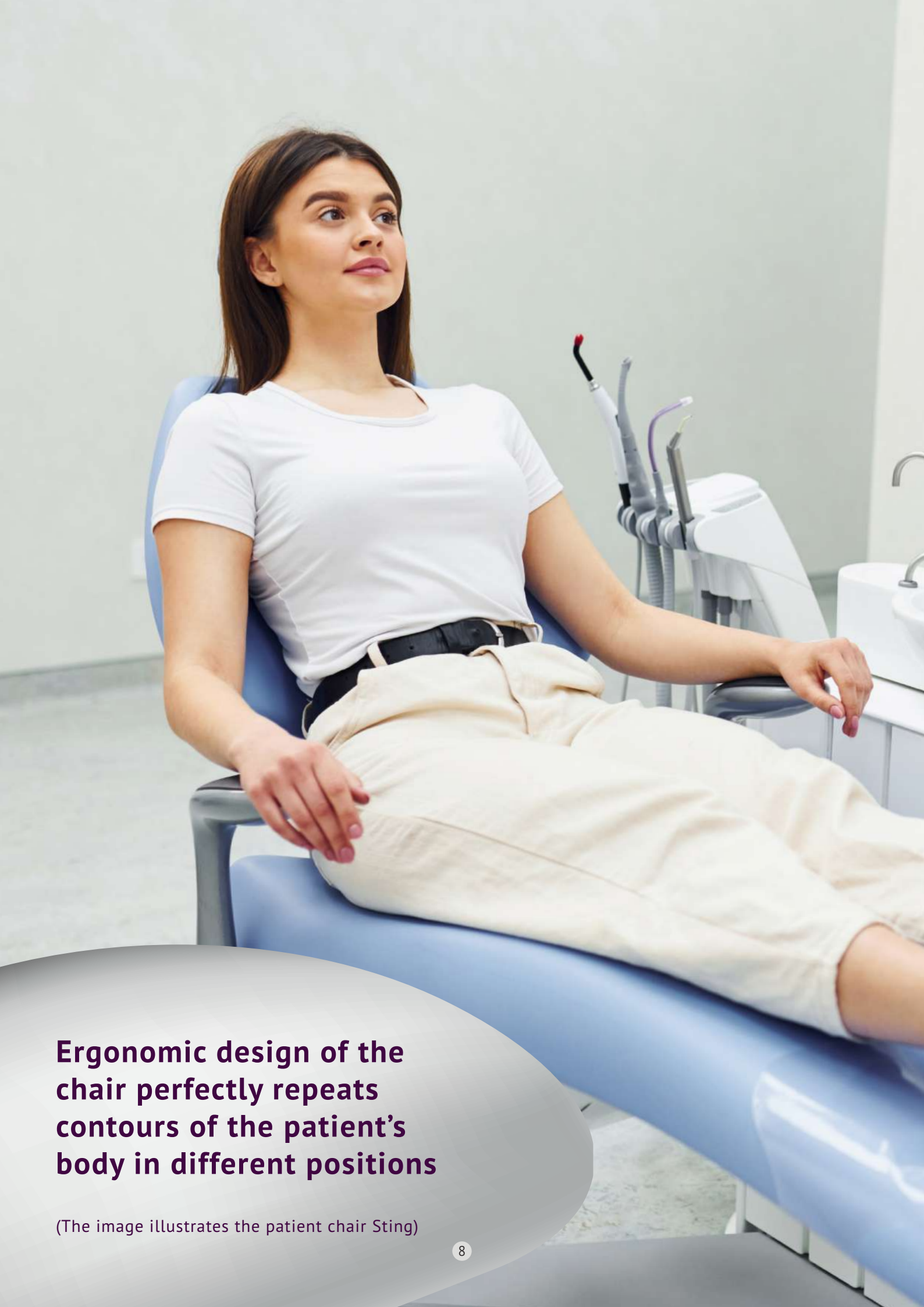
5511 Patino green



1414 Ruby red



6001 Grey-beige



Ergonomic design of the chair perfectly repeats contours of the patient's body in different positions

(The image illustrates the patient chair Sting)





More freedom of movement. More comfort

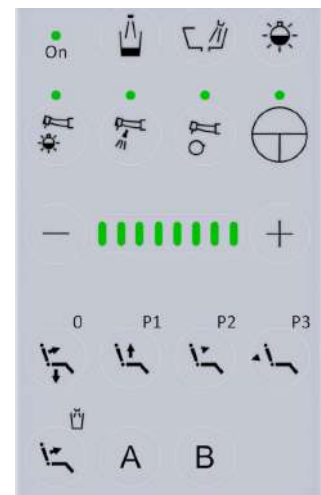
Dentist console of Your Gallant Autome

Equipped with the necessary instruments located in the place where you intuitively expect to find them.

The optimal weight of the instruments and the flexibility of the hoses will ensure comfortable operation during the entire treatment process, as well as, reducing the load on the wrists, minimizes fatigue during long-term treatment.

The dentist's console with the swinging hoses includes:

- individually selected 5 instruments;
- lightweight construction;
- fixation in the right place with a pneumatic brake;
- control panels of instruments and patient chair.



Clear interface.
It is easy to control the instruments and the patient's chair.



Effective teamwork with Gallant Autonome

Assistant's console of Your Gallant Autonome:

- provides placement of 4 instruments and independent operation of saliva ejector and vacuum cleaner;
- horizontal movement of the assistant console allows to place the instruments in a convenient position.



4 instruments

Assistant's console for 4 instruments





Easy rotation of the cuspidor by 180° provides ergonomic and convenient access to the assistant and optimal comfort for the patient.

A trusted hygiene system

Cuspidor unit GALLANT AUTONOME – an easy access, fast and safe service for medical staff and service personnel.

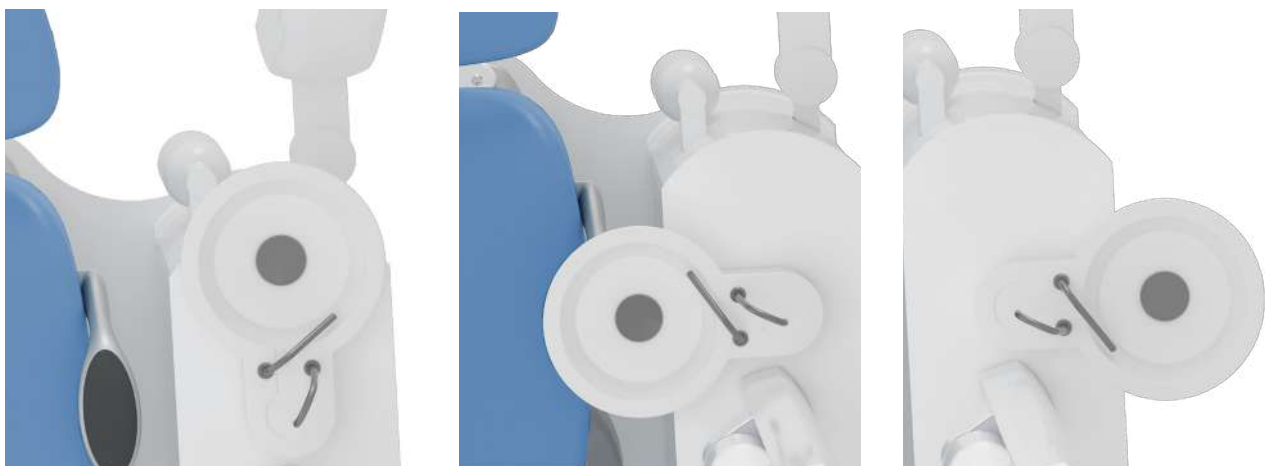
The cuspidor unit with a smooth surface is easy to disinfect, and for maintenance it is enough to remove only one cover on clamps.



Ceramic cuspidor – resistant to disinfection

Provides ergonomic and comfortable access to the assistant and optimal comfort for the patient.

Equipped with flushing and electronically controlled cup filling.



Just plug in the electrical network and play!

Dental lamp MAIA

Assistant console for 4 instruments

Ceramic cuspidor bowl of rotary type with flushing and electronic control of filling of a cup

The basic version of the patient chair Sting includes:

- fully electromechanical lifting and movements of the backrest;
- program for resetting to "0" position;
- program for the position of spitting;
- double foot control based on the chair;
- emergency stop on the base;
- emergency stop on the backrest;
- headrest with double articulation UNI;
- wide back of the chair;
- three additional programs for the chair.

Multifunction wireless pedal



Cuspidor unit

The dentist's console with upper delivery of hoses on the pantographic lever with a pneumatic brake, includes:

- negatoscope;
- chair and unit control panel with power adjustment of all dynamic tools and ENDO function;
- maximum of five instruments.

Gallant Autonome – Just plug in the electrical network and play!

- The HEPA filters (H14) can filter microscopic particles several microns in size;
- The HEPA filter (H14) used in the equipment prevents spread of bacteria and viruses through the air, so it is very important to prevent the spread of infections;
- They are made using high-quality filter material with a progressive structure, made of ultra-thin and micro-thin fibre glass, packed in the form of small folds (mini-corrugation), separated by thermoplastic or aluminium separators;
- They fully meet all the requirements for filters of these classes in accordance with EN 1822.



Bactericidal HEPA filter (H14) for air outlet

Tank 3 liters

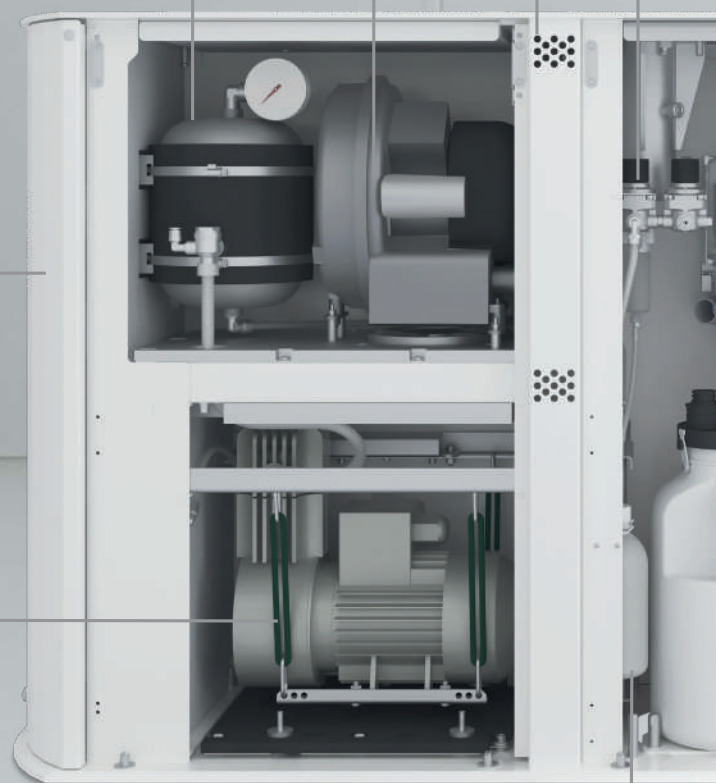
Exhaust unit

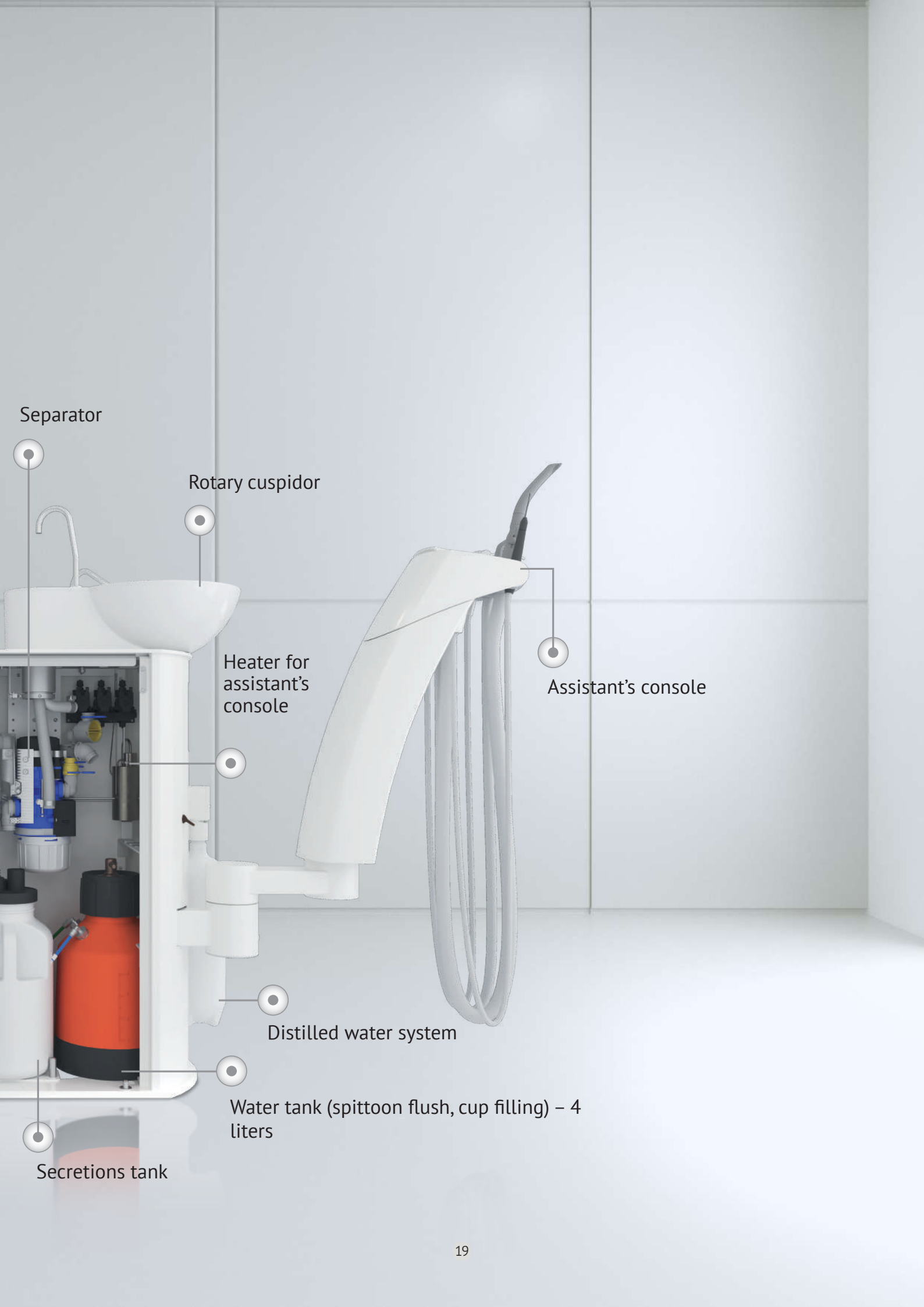
Reducer filter

Electric block

Compressor

Condensate tank





Separator

Rotary cuspidor

Heater for assistant's console

Assistant's console

Distilled water system

Water tank (spittoon flush, cup filling) – 4 liters

Secretions tank

Options

GALLANT AUTONOME (PRO) dental unit

Stationary cuspidor unit, including:

- Cuspidor ceramic bowl of rotary type with rinsing and cup filling electronic control
- Distilled water system, 2 L.
- Compressor DK50 with stainless steel tank of 3 L. capacity, condensate separator with filter and automatic condensate drain built in cuspidor unit
- Suction aggregate with bactericidal filter built in cuspidor unit
- Container for water (6 l) for bowl rinsing and cup filling
- Container (5 l) for secretions

Modern design dentist console with upper or lower delivery of hoses, including:

- Electronic regulation of spray
- Rotary arm with pneumatic brake
- Control panel to control chair and unit operation, with adjustment of all dynamic instruments power
- Two hands for adjustment dentist console position

Patient Chair ECO NEXT Basic Version (Tecnodent), including:

- completely electromechanical lifting and movements of backrest
- program to reset to "0" position
- foot control on chair base
- safety stop on base
- safety stop on backrest
- UNI headrest
- wide backrest of chair

Options

Dentist console instruments:

- Pneumatic line without lighting
- Pneumatic line with lighting
- OPTIMA MX2 int (40 programs) micromotor
- Second OPTIMA MX2 micromotor
- MX2 LED micromotor
- Second MX2 LED micromotor
- MCX (1000-40.000 rpm) micromotor
- Second MCX (1000-40.000 rpm) micromotor
- MCX LED (1000-40.000 rpm) micromotor
- Second MCX LED (1000-40.000 rpm) micromotor
- Xinet scaler without light with 3 tips
- FS-433 E-1 Piezon built-in kit (EMS)
- FS-367 Kit Piezon LED No Pain (EMS)
- Newtron F55235 Scaler with LED with 3 tips
- Mini LED curing lamp for incorporation
- DCI 3 way syringe
- MINIMATE 3 way syringe

Additional options for dentist console:

• Big table with silicone mat (for upper hoses delivery)

• Big table with silicone mat (for lower hoses delivery)

• Heater for water for dental instruments

• Flushing function for hoses of doctor instruments

Foot control options:

• Pneumatic foot control

• Multifunctional foot control FARO

• Multifunctional foot control FARO wireless

Separation system options:

• CAS1 separator Dürr Dental

• Cuspidor valve Dürr Dental

Assistant console options:

• Assistant console PRO with big and small suction hoses

• DCI 3 way syringe

• MINIMATE 3 way syringe

• Mini LED curing lamp for incorporation

Dental light options:

• FARO MAIA dental LED light

• FARO ALYA dental LED light

Options for cuspidor unit:

• Monitor attachment rotary arm

• Napkin holder

• Water heater for cuspidor cup filler

• On-floor plate for attachment of dental unit and chair

Kinds of the patient chairs instead of ECO NEXT:

• Patient Chair STING

• Patient Chair 2009NEXT

• Patient Chair LINDANEXT



Dental light

MAIA LED



Special 3D rotation system

EVA LED



ALYA LED



Light temperature	5 000 K	5 000 K	5 000 K
Luminous flux	from 3 000 to 35 000 LUX	from 3 000 to 50 000 LUX	from 3 000 to 50 000 LUX
Shadowless effect	9*6 mm ellipse	10*6 mm ellipse	6*3 mm ellipse

Dental lamps FARO:

- optimally illuminated work surface;
- patented optical system FARO;
- removable handles for sterilization;
- new electronic equipment of FARO lamps ensures compatibility with video recording systems and diagnostic tools.

Foot control



Multifunction pedal:

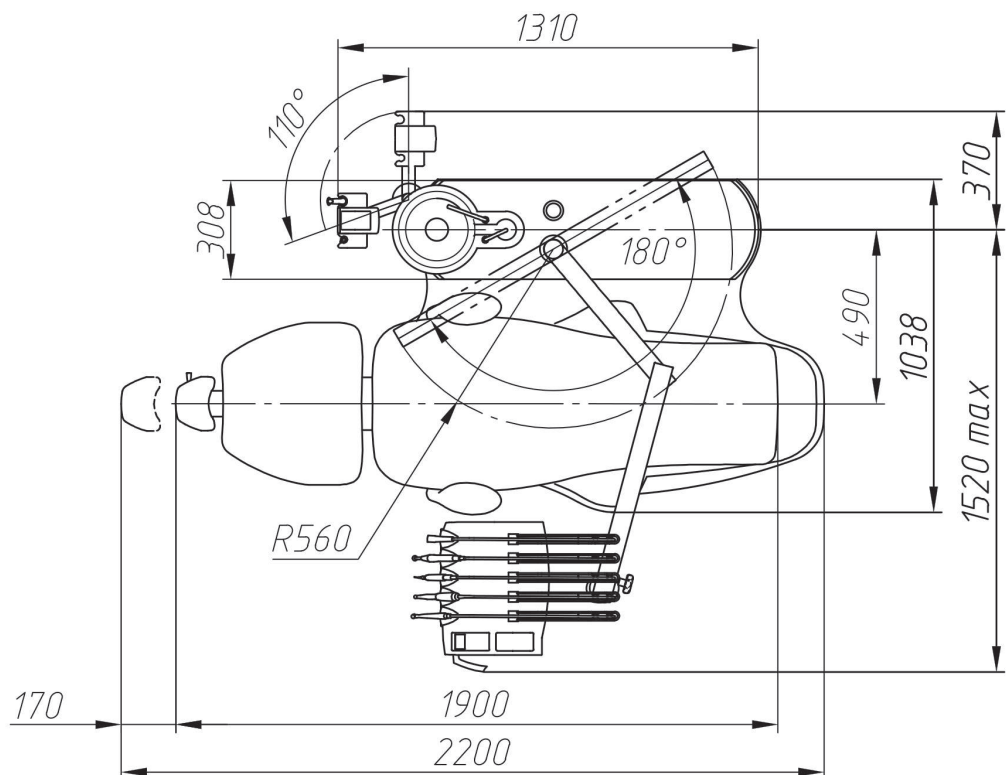
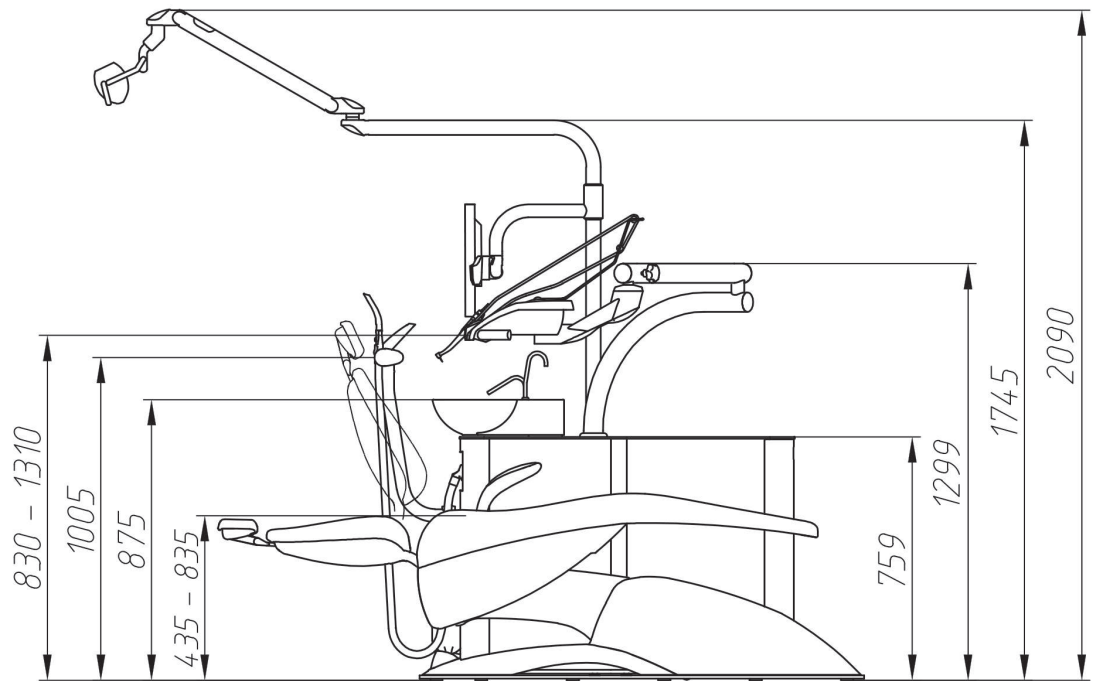
- switching on/off of dental instruments;
- switching on/off of spray and clining for dental instruments;
- speed/power adjustment of dental instruments.



Wireless multifunction pedal:

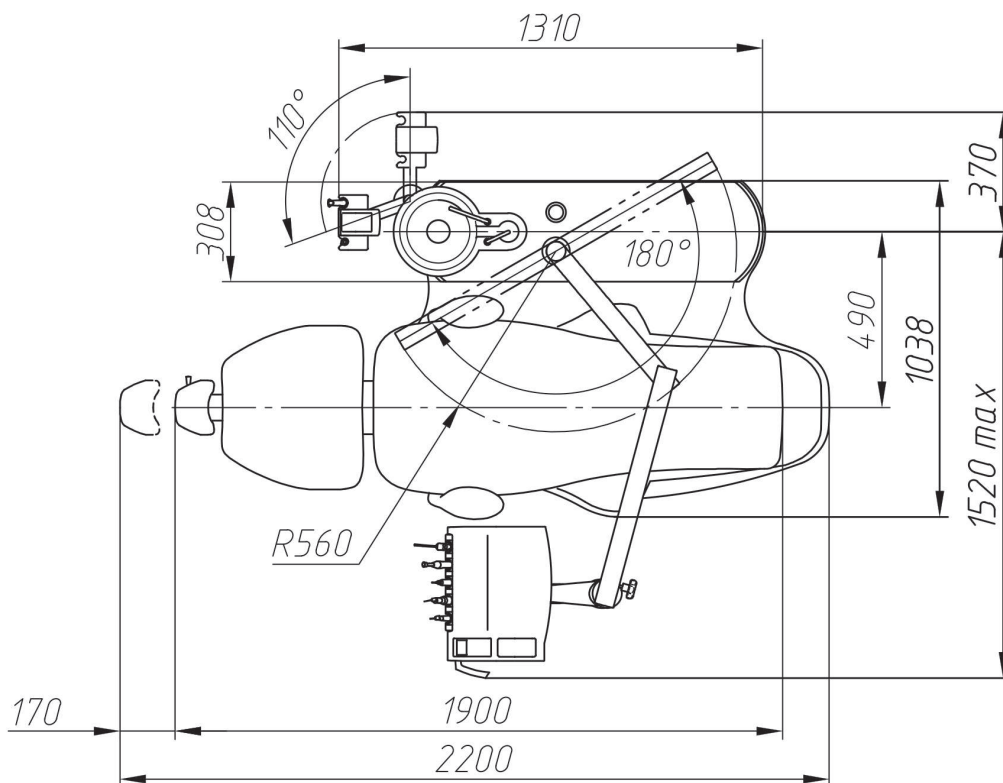
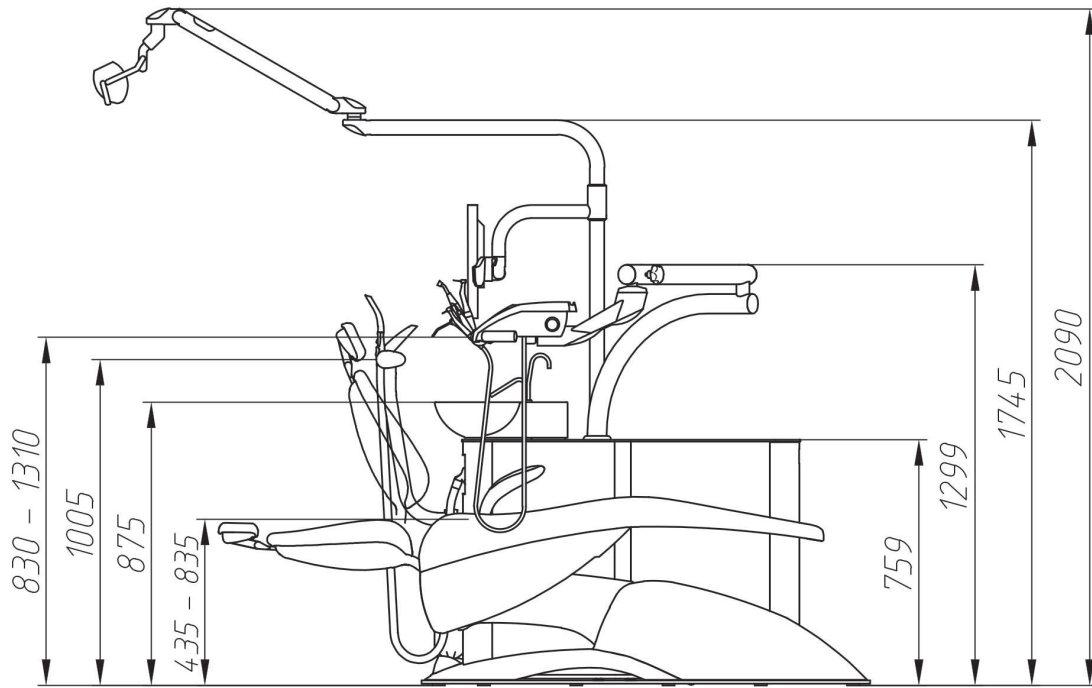
- switching on/off of dental instruments
- switching on/off of spray and clining for dental instruments;
- speed/power adjustment of dental instruments.

Overall dimensions of unit



Overall dimensions of the dental unit GALLANT AUTOMONE with upper delivery of hoses and the patient chair STING.





Overall dimensions of the dental unit GALLANT AUTOMONE with lover delivery of hoses and the patient chair STING.



Dental unit Autonome Mini

- Fully autonomous unit with built-in oil-free compressor and membrane dehumidifier, without aspiration system.
- Meets the highest safety and hygiene requirements according to European standards.
- Dry, clean air from a compressor with a filtration of 0.1 μm without bacteria, viruses, fungi complies with European safety directives.





GALLANT CART-5 AUTONOME

Mobile unit on a wheel frame with antistatic wheels, braking devices and protection against damage to the walls.

Soundproof cabinet on wheels with built-in:

- DK 50 compressor with a stainless steel tank of 3 liters and a condensate separator with automatic condensate drain;
- suction system, including dust and saliva suction, suction unit with bactericidal filter and 5-liter container for secretions.

The doctor's unit with hanging hoses (maximum 5 instruments), includes:

- 3-way syringe DCI;
- one turbine pneumatic outlet (silicone hose);
- wheel frame with antistatic wheels and devices to prevent damage to the walls;
- distilled water system with a capacity of 2 liters;
- unit control panel with power adjustment of all dynamic instruments;
- pneumatic foot control.



Suction unit with bactericidal filter

Distilled water system

Container for secretions (5 l)

Compressor

Wheel frame with antistatic wheels

Device to prevent damage to the walls





Mobile saliva ejectors Mobi Suc Easy & Mobi Suc Combi

Mobi Suc Easy & Mobi Suc Combi are designed to remove liquids or air from the patient's mouth during medical procedures.

Main advantages:

- compact size of modules;
- mobility: due to the presence of a wheel frame, the saliva ejector is easy to move within the dental office;
- reduced noise level during operation;
- excellent suction power is achieved in just a few seconds;
- maximum suction flow 1 100 l/min;
- special antistatic wheels with a brake for fixing;
- devices are completely autonomous – just turn on and work;
- bactericidal HEPA filter (H14) protects against air viruses and bacteria in the dental office, filtering it up to 99.9%;
- The HEPA filters (H14) can filter microscopic particles several microns in size;
- The HEPA filter (H14) used in the equipment prevents spread of bacteria and viruses through the air, so it is very important to prevent the spread of infections;
- They are made using high-quality filter material with a progressive structure, made of ultra-thin and micro-thin fibre glass, packed in the form of small folds (mini-corrugation), separated by thermoplastic or aluminium separators;
- They fully meet all the requirements for filters of these classes in accordance with EN 1822.

GALIT

Manufacturer

PC «Galit»
6E, 15 Kvitnya Str., v. Baikivtsi, Ternopil region,
47711, UKRAINE

+380-800-502-998

office@galit.te.ua
service@galit.te.ua

European representer

Galdent CZ s.r.o.
K.Vapence 448, 41503 Teplice, Czech Republic

+420-775-471-378

export@galit.te.ua
galdentcz@gmail.com



Version: 20210820

Technical specification or appearance of the equipment is subject to change without prior approval.